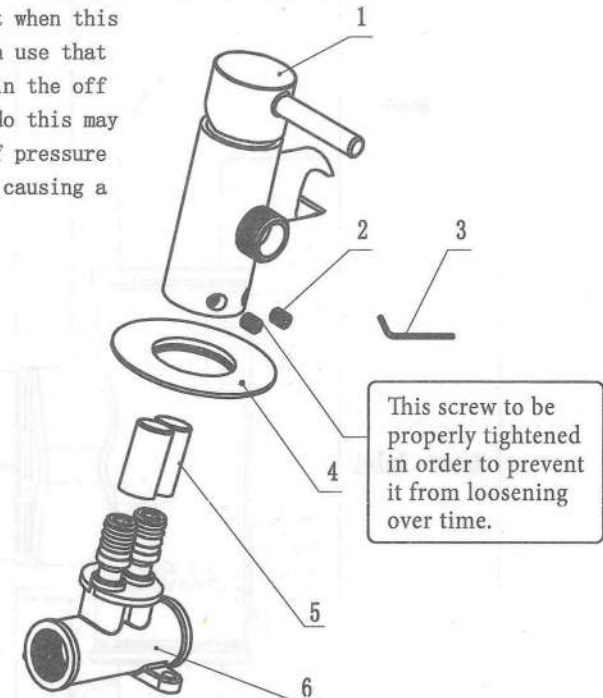


Installation 1

Spare Parts List & Installation

WARNING:

Please ensure that when this shattaf kit is not in use that the mixer is turned in the off position. Failure to do this may lead to a build-up of pressure in the head and hose causing a leak to occur.



Installation:

1. Disconnect the screws (Part 2) using spanner (Part 3), then pull out part 6
2. Put part 5 on the Part 6, and fix it in the wall with plumbing, then finish the tile. See the real sizes in Installation 1.
3. Take out of Part 5, open the valve to clean the plumbing.
4. Fix the plate (Part 4) on the main body (Part 1) in correct direction.
5. Fit the main body (Part 2) into the valve body (Part 6), please make sure fasten it in the final position
6. Using spanner (Part 3) to tighten the screws (Part 2), and adjust the plate at last

6	3 Ways Body	1
5	Protective cap	2
4	Wall cover	1
3	Socket wrench	1
2	Hexagon screw	2
1	Mixer Body	1
No	Name	QTY

Standard spare parts list

Installation 2