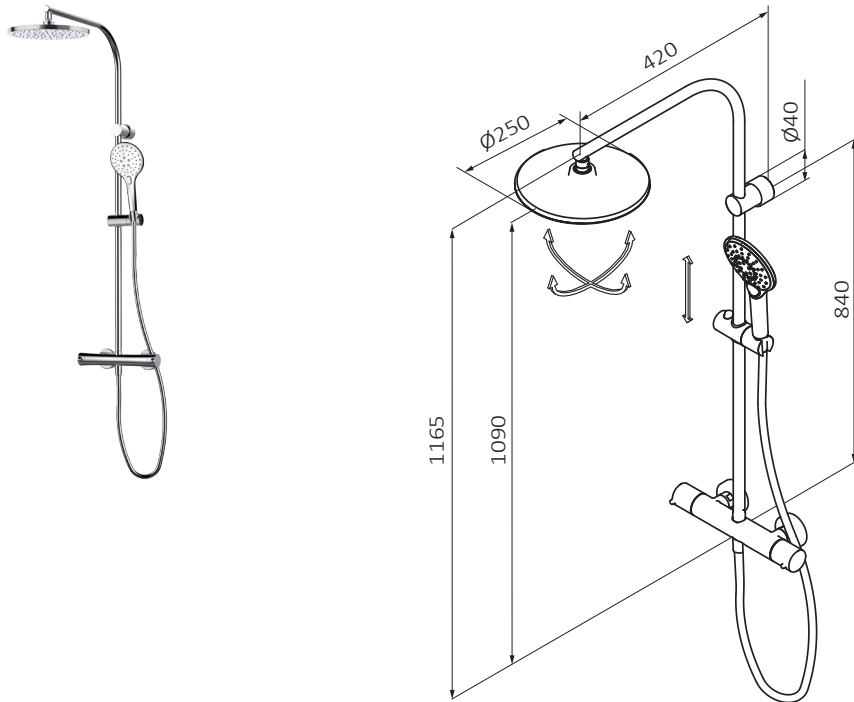


TIME

Female shower thermostatic with column

GRB mixers®

Chrome - 47 432 470 XL



1

COLLECTION: **TIME** PRODUCT: **Female shower thermostatic with column**

FINISH: **Chrome** CODE: **47 432 470 XL** EAN 13: **8435200089494**

PACKAGED PRODUCT INFORMATION: WEIGHT: **5.946 kg** WIDTH: **31 cm** LONG: **19 cm** HIGH: **77 cm**

LINK ASSEMBLY INSTRUCTIONS: http://d7rh5s3nxmpy4.cloudfront.net/CMP2592/files/040801_02_MAIL_Instrucciones_Columnas_Fijas_y_TL.pdf

TECHNICAL SPECIFICATIONS:

- › RECOMMENDED PRESSURE: 1 to 5 bars
- › MAXIMUM PRESSURE OF USE: 10 bars
- › INLETS: (H) G 3/4"
- › OUTLETS: G 1/2"
- › Diverter: In left flow handle
- › Cartridge Thermostatic
- › With eccentric of ± 20 mm
- › Sensitivity and acoustics according to the norm EN ISO 3822
- › Snow showerhead Orientable 3F $\varnothing 250$ mm ABS- Flow to 3 bar opening max.: 8.5 l/min
- › Snow hand-shower 4F $\varnothing 125$ mm ABS- Flow to 3 bar opening max.: 11 l/min
- › Extendable column (+20 cm) with: 05070002

MATERIAL SPECIFICATIONS:

- › Machined brass bodies
- › Coating in Ni-Cr electrolytic bath
- › Metallic handle

USE SPECIFICATIONS:

- › GRB Live Technology, constant temperature. Valid for all hot water supplies
- › Without minimum pressure and without calibration
- › Anti-liming and self-calibrated metallic cartridge, certificated by Aenor
- › Stop safety button at 38°C
- › Adjustable support
- › Column with full use of height (75 mm only from the showerhead and the ceiling)

SPARE PARTS LIST:

- › 00010122: Time Female flow handle
- › 00010024: Time Female temperature handle
- › 00470001: Thermostatic cartridge + Time Female handle
- › 040089: Diverter cartridge 2 ways
- › 090057: Eccentric thermostatics set-plates-joints