

# 5777

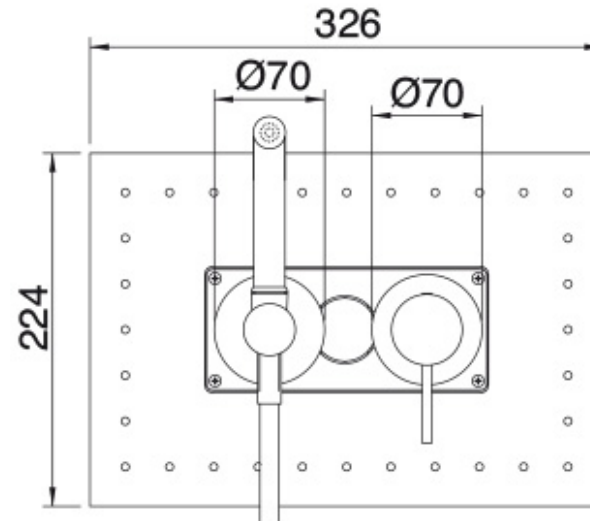
FINISHES:



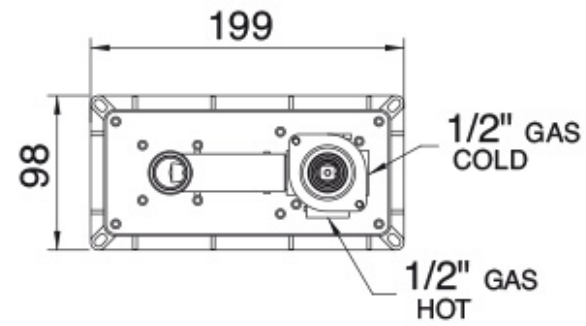
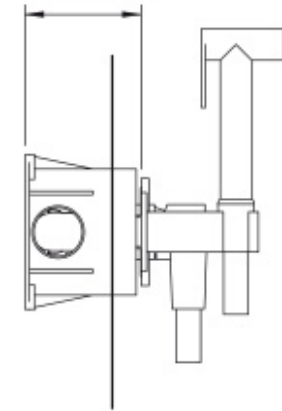
CHROME



BRUSH NICKEL



min 50  
max 70



RUBINETTERIE  
**treemme**  
*instruments for water*