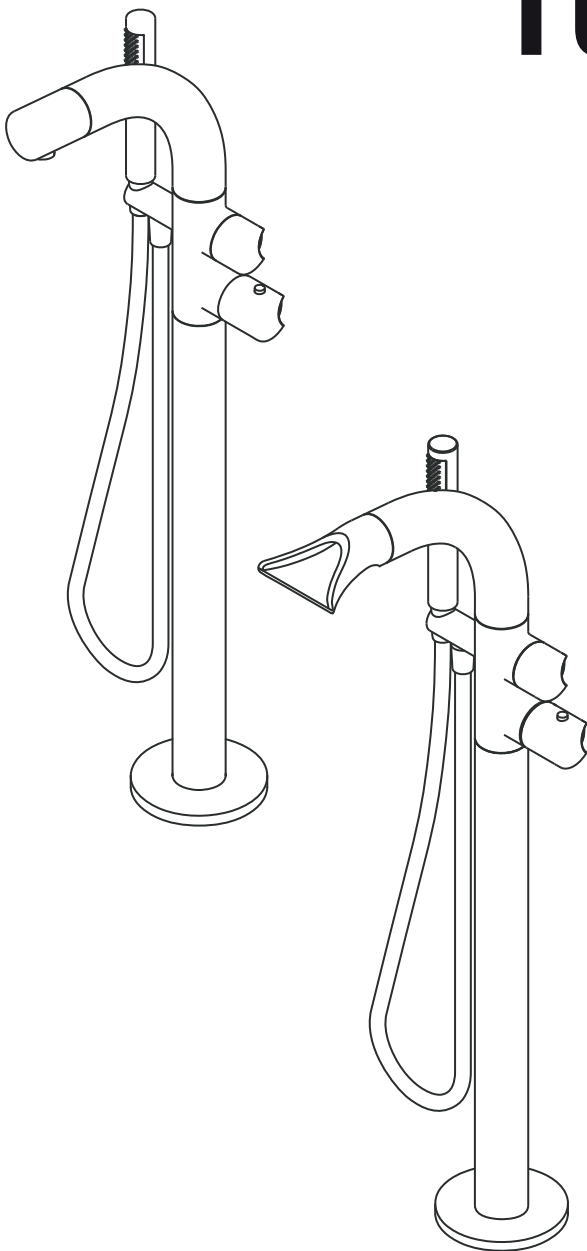
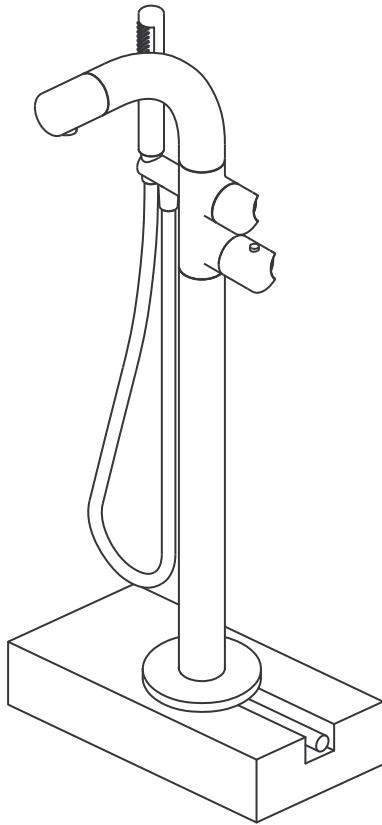


# Тубо TU14/15

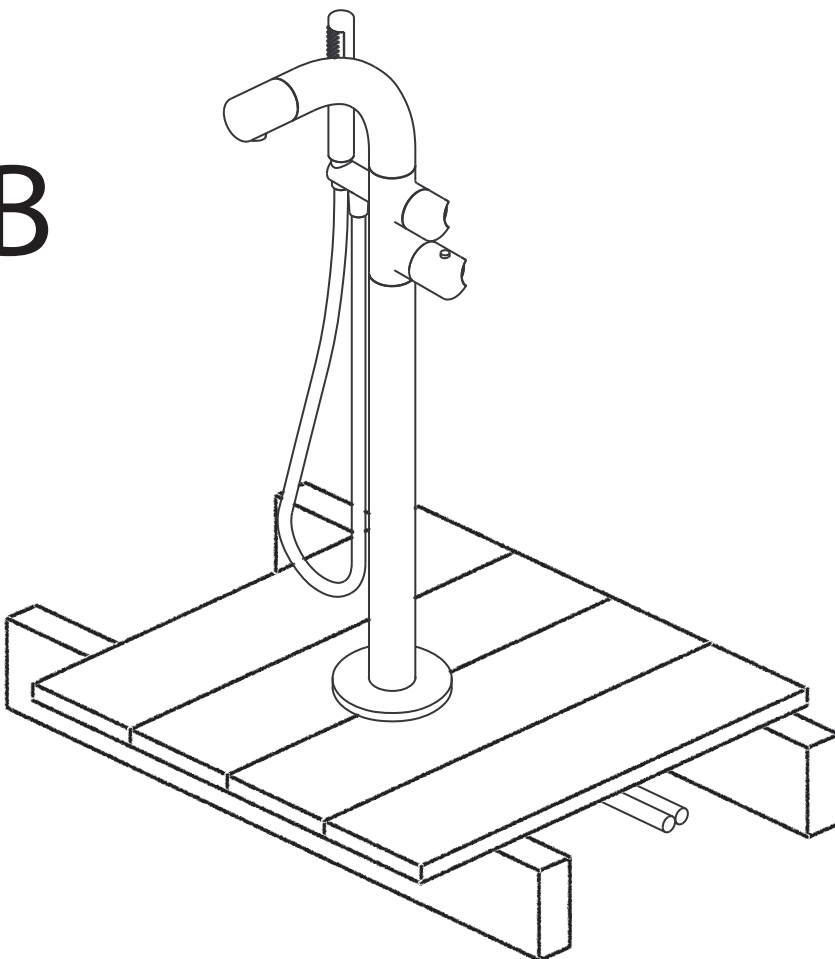


Fitting instructions  
Notice d'installation  
Instrucciones de montaje  
Montageanleitung  
Istruzioni di montaggio  
Montagehandleiding  
Instrukcja montażu  
Указания по креплению

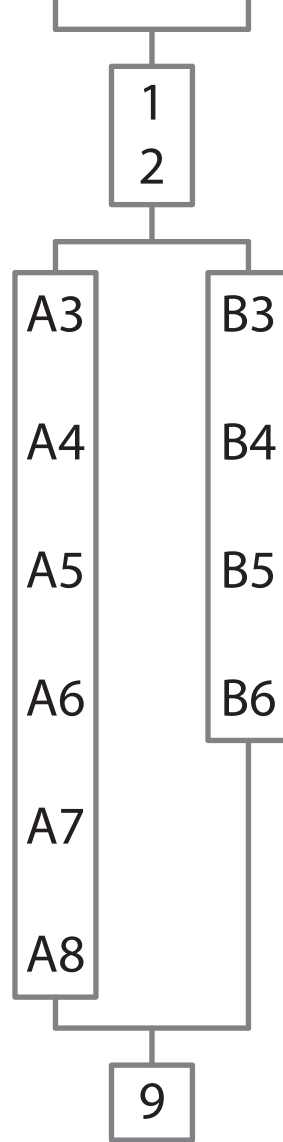
**A**



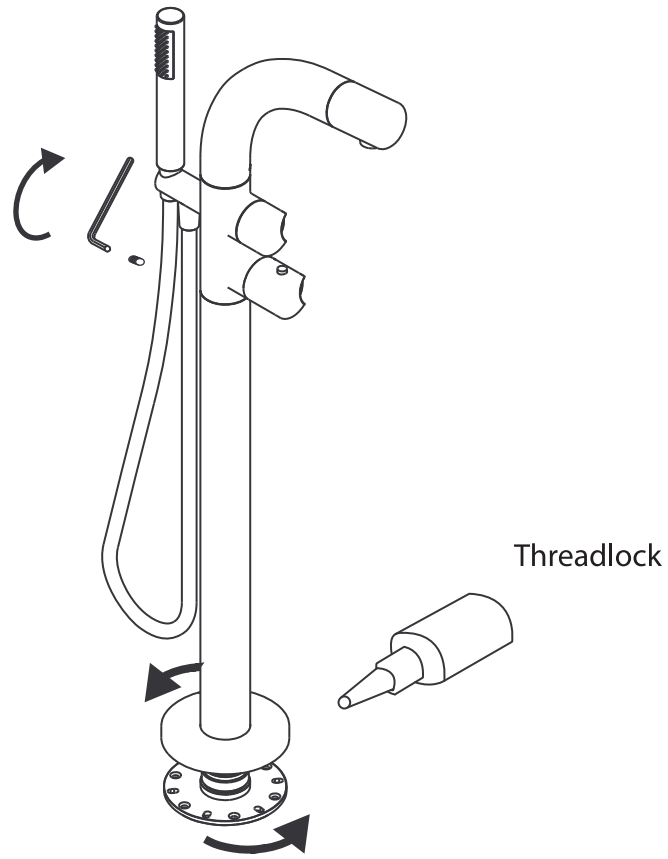
**B**



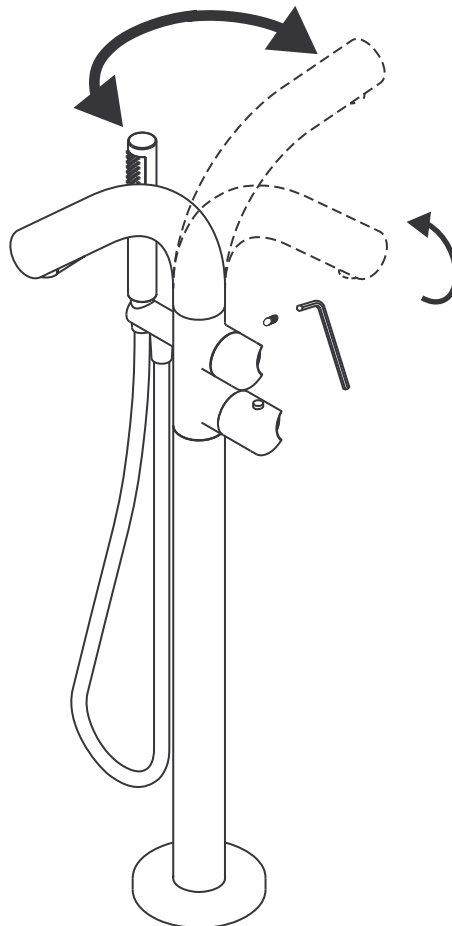
**A**      **B**



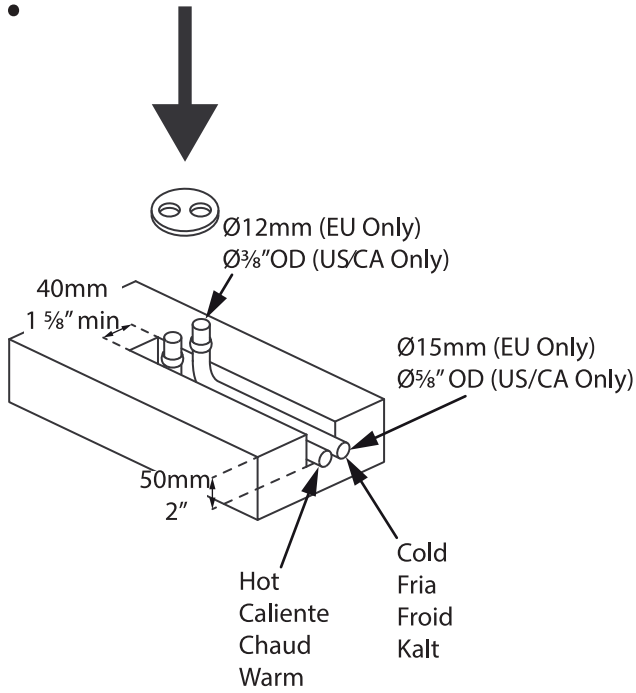
1.



2.



A3.



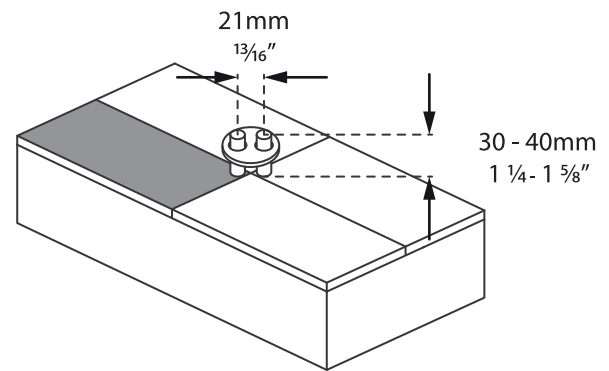
A4.



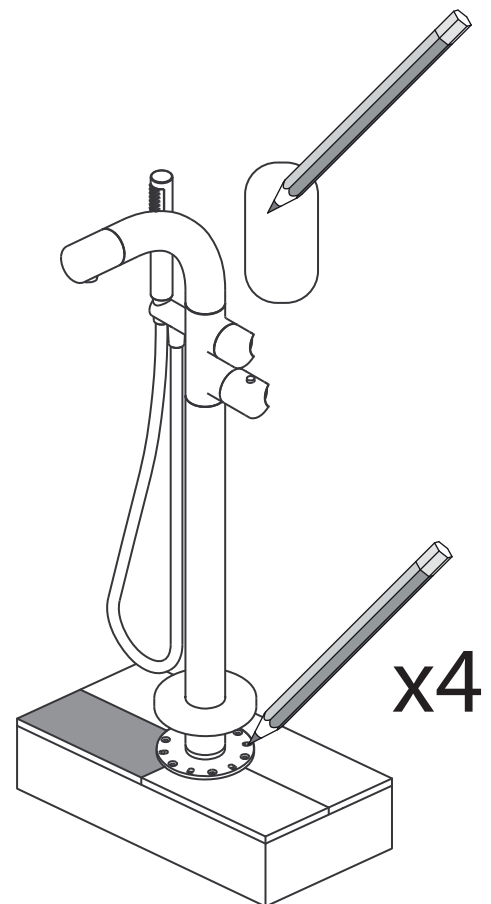
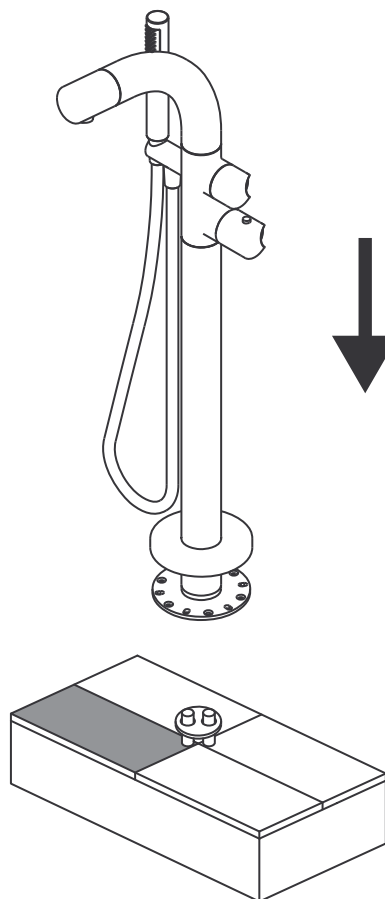
CHECK  
 COMPROBAR  
 VERIFER  
 ÜBERPRÜFEN



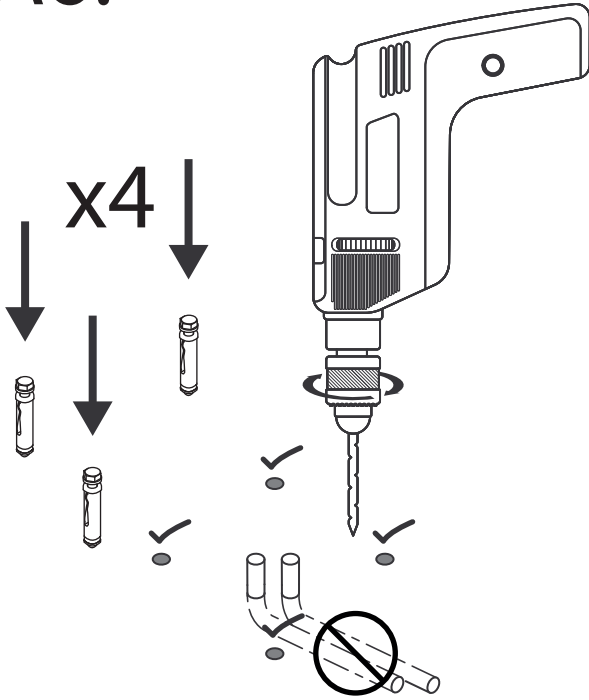
Clean Pipes  
 Limpiar Tuberias  
 Netoyer La Tuyaterie  
 Rohre Sauber Machen



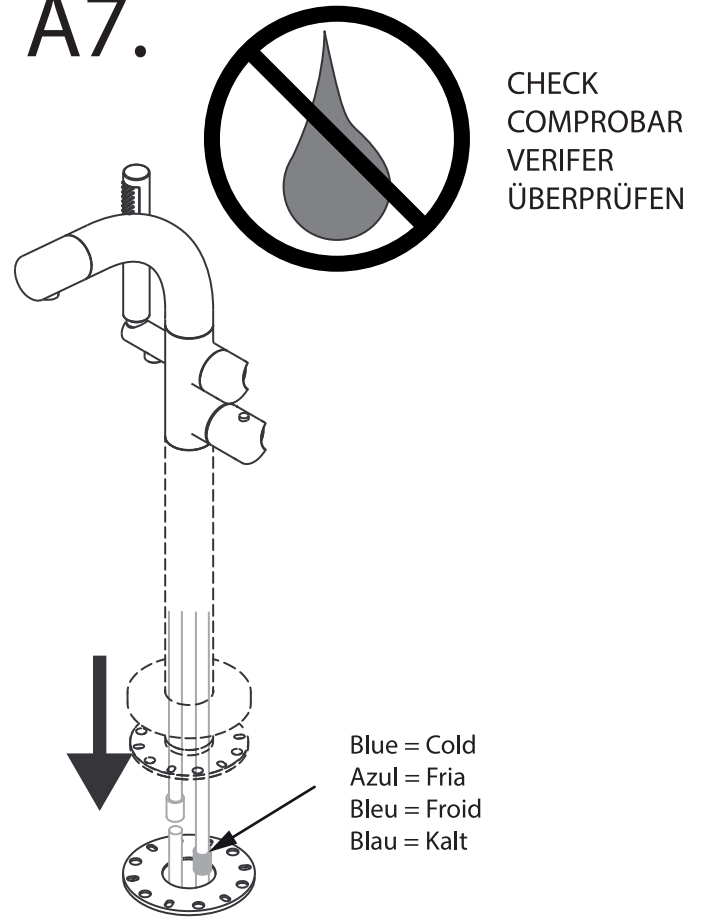
A5.



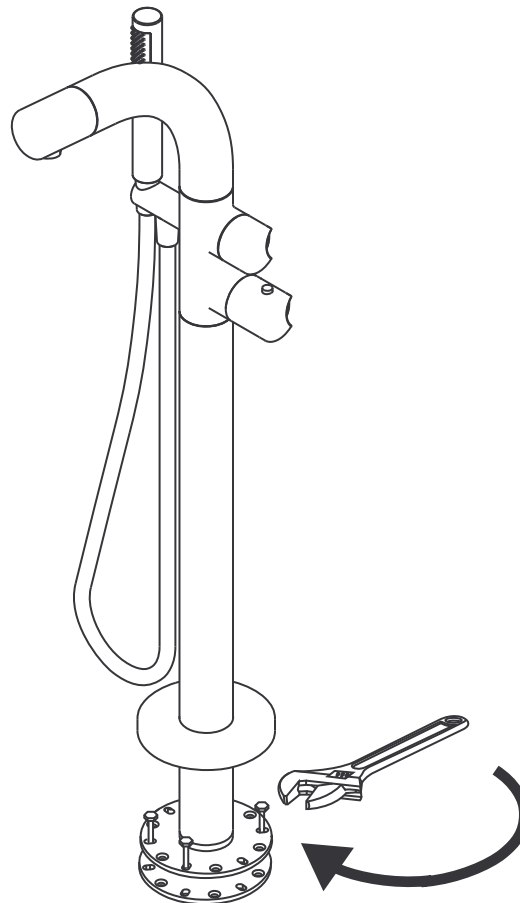
A6.



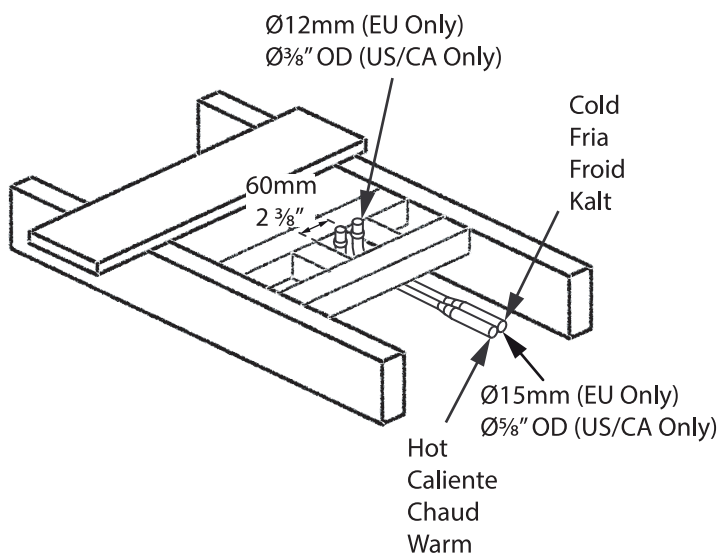
A7.



A8.



B3.



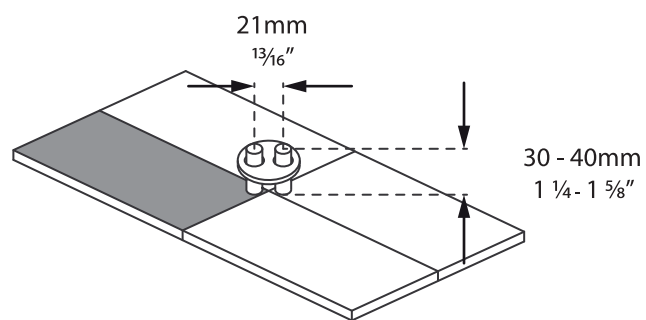
B4.



CHECK  
COMPROBAR  
VERIFER  
ÜBERPRÜFEN



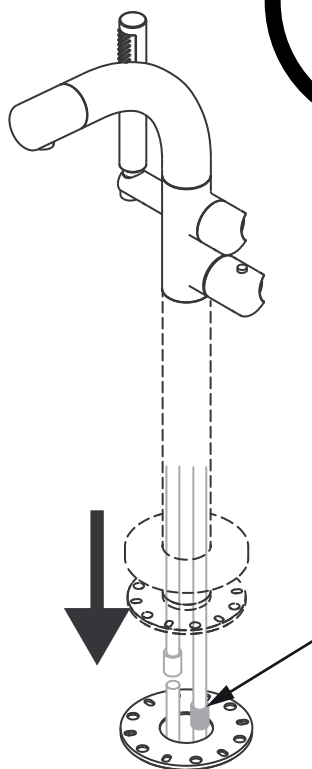
Clean Pipes  
Limpiar Tuberias  
Netoyer La Tuyaterie  
Rohre Sauber Machen



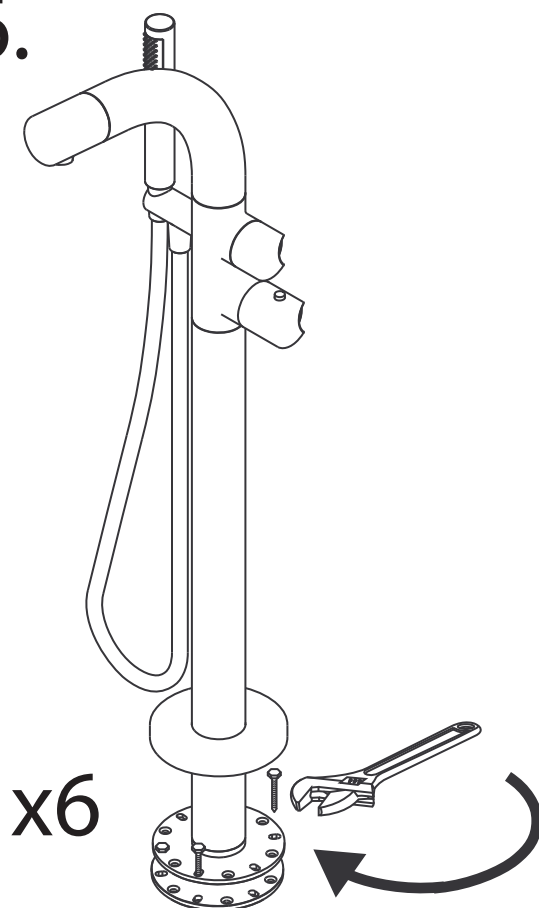
B5.



CHECK  
COMPROBAR  
VERIFER  
ÜBERPRÜFEN

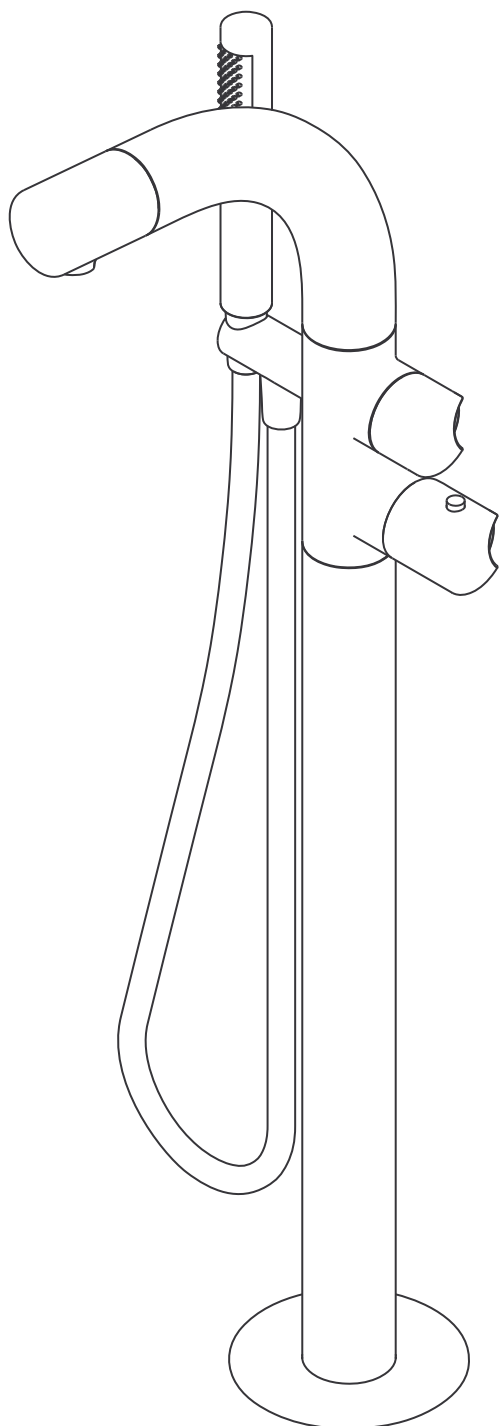


B6.

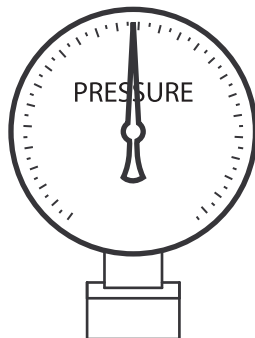




CHECK  
COMPROBAR  
VERIFER  
ÜBERPRÜFEN



## UK/EU

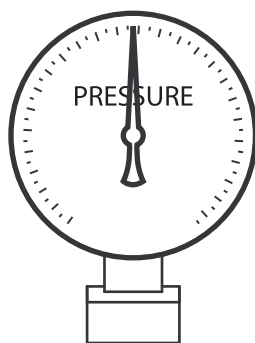


0.5 - 5 Bar

Max 32 L/min @ 3.0 Bar

Max ratio hot to cold = 5:1


## US/CA



7.5 - 72.5 psi

Max ratio hot to cold = 5:1

Max 8 gpm @ 45 psi 

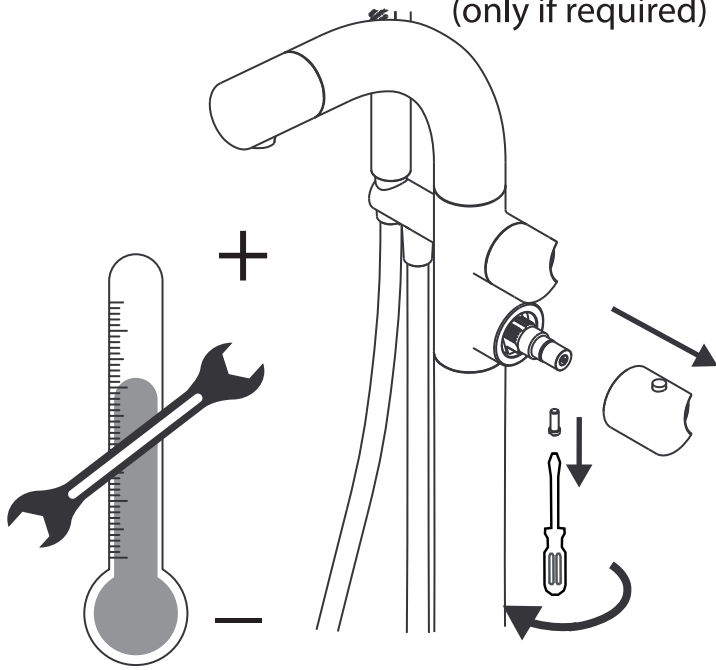
Max 9.5 L/min (2.5 gpm) 

For use with shower heads rated at 9.5 L/min (2.5gpm) or higher

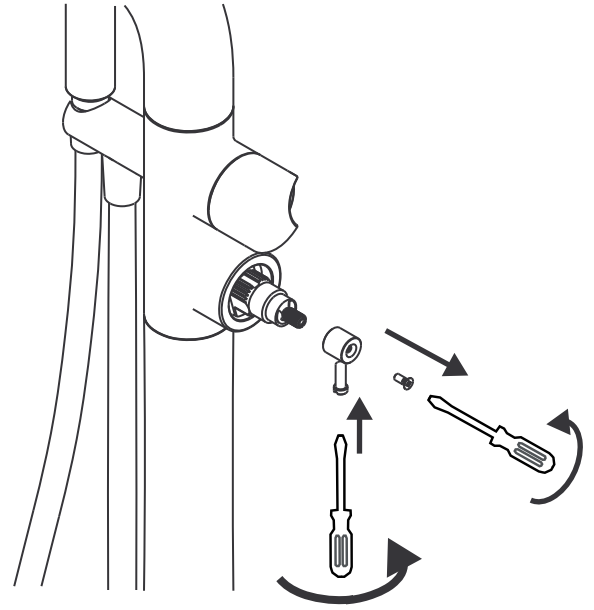
Max temperature outlet 120°F

# TC1.

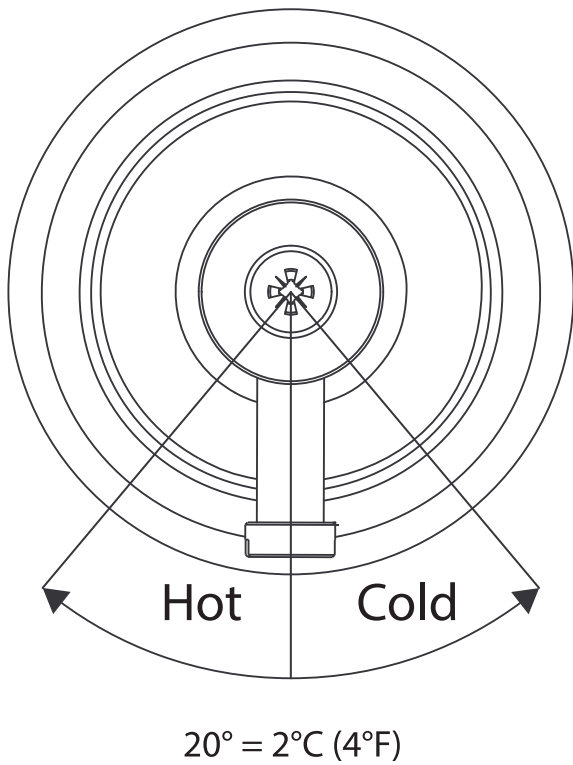
Temperature Calibration  
(only if required)



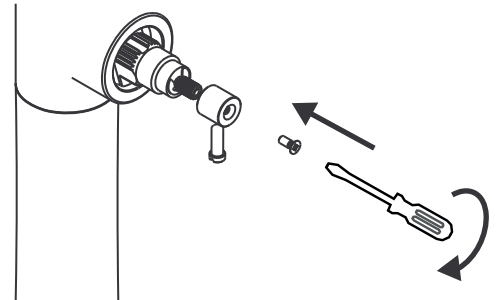
# TC2.



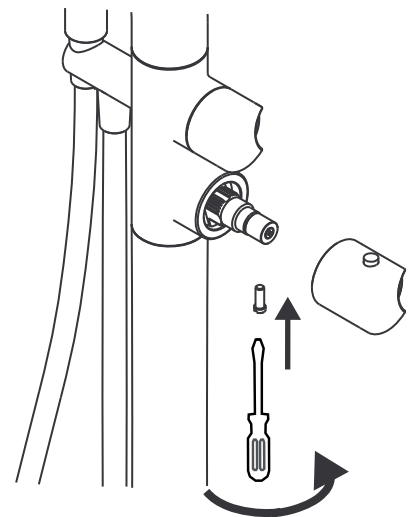
# TC3.



# TC4.

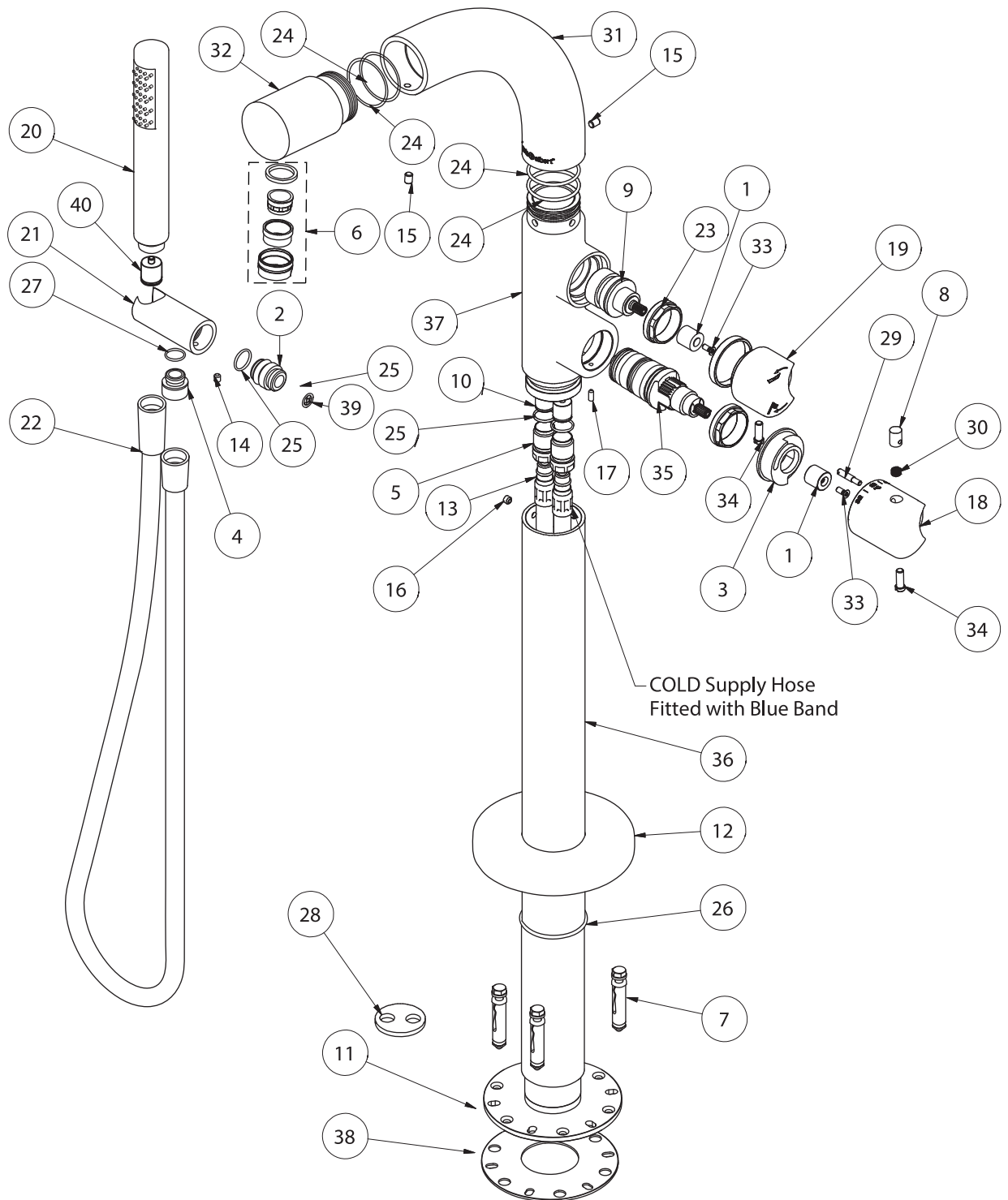


# TC5.





- |                          |                         |                    |                            |
|--------------------------|-------------------------|--------------------|----------------------------|
| 1. Cartridge Adapter     | 11. Base Flange         | 21. Handset Holder | 31. Spout                  |
| 2. Adapter               | 12. Flange Cover        | 22. Hose           | 32. Spout Outlet           |
| 3. Temperature Stop Ring | 13. Flexible Tails (x2) | 23. Cartridge Nut  | 33. Screw                  |
| 4. Adapter               | 14. Grub Screw          | 24. O ring (x4)    | 34. Screw                  |
| 5. Adapter (x2)          | 15. Grub Screw          | 25. O ring (x4)    | 35. Therm Cartridge        |
| 6. Aerator               | 16. Grub Screw (x2)     | 26. O ring         | 36. Floor Tube             |
| 7. Anchor Bolt (x4)      | 17. Grub Screw          | 27. O ring         | 37. Body                   |
| 8. Temp Button           | 18. Temp Handle         | 28. Pipe Clip      | 38. Floor Seal             |
| 9. Diverter Cartridge    | 19. Diverter Handle     | 29. Stop Pin       | 39. Flow Limiter (US Only) |
| 10. Check Valve (x2)     | 20. Handset             | 30. Spring         | 40. Check Valve (US Only)  |



- |                           |                         |                    |                            |
|---------------------------|-------------------------|--------------------|----------------------------|
| 1. Cartridge Adapter      | 11. Base Flange         | 21. Handset Holder | 31. Spout                  |
| 2. Adapter                | 12. Flange Cover        | 22. Hose           | 32. Screw                  |
| 3. Temperature Stop Ring  | 13. Flexible Tails (x2) | 23. Cartridge Nut  | 33. Screw                  |
| 4. Adapter                | 14. Grub Screw          | 24. O ring (x4)    | 34. Therm Cartridge        |
| 5. Adapter (x2)           | 15. Grub Screw          | 25. O ring (x4)    | 35. Floor Tube             |
| 6. Waterfall Spout Outlet | 16. Grub Screw (x2)     | 26. O ring         | 36. Body                   |
| 7. Anchor Bolt (x4)       | 17. Grub Screw          | 27. O ring         | 37. Floor Seal             |
| 8. Temp Button            | 18. Temp Handle         | 28. Pipe Clip      | 38. Flow Limiter (US Only) |
| 9. Diverter Cartridge     | 19. Diverter Handle     | 29. Stop Pin       | 39. Check Valve (US Only)  |
| 10. Check Valve (x2)      | 20. Handset             | 30. Spring         |                            |

