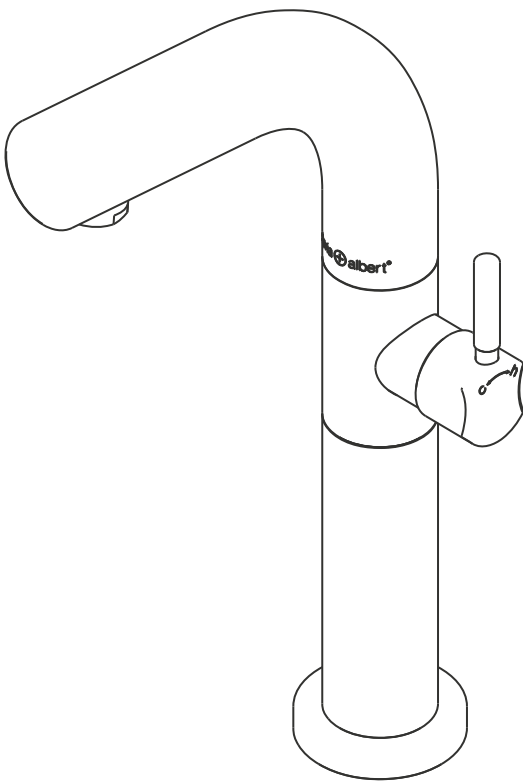


Tubo TU16



Fitting instructions

Notice d'installation

Instrucciones de montaje

Montageanleitung

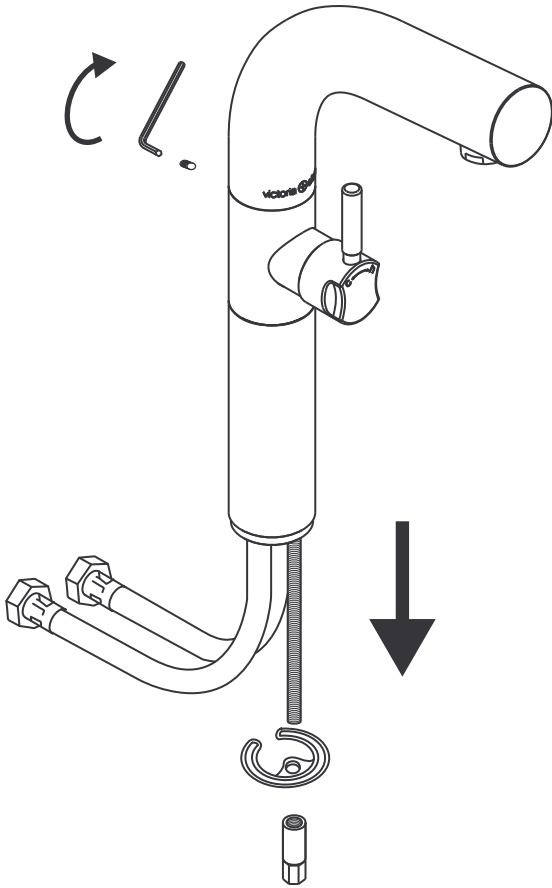
Istruzioni di montaggio

Montagehandleiding

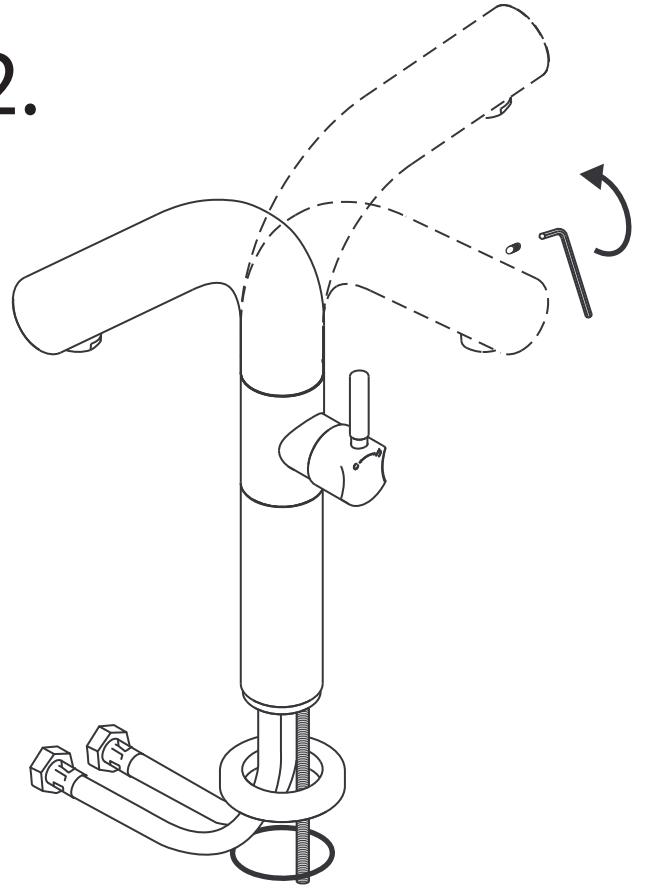
Instrukcja montażu

Указания по креплению

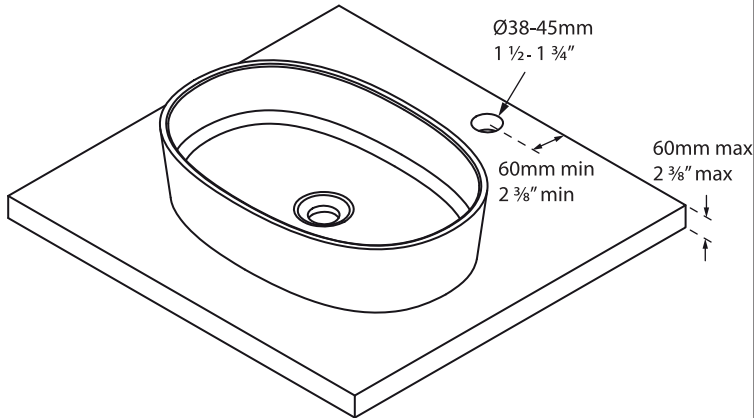
1.



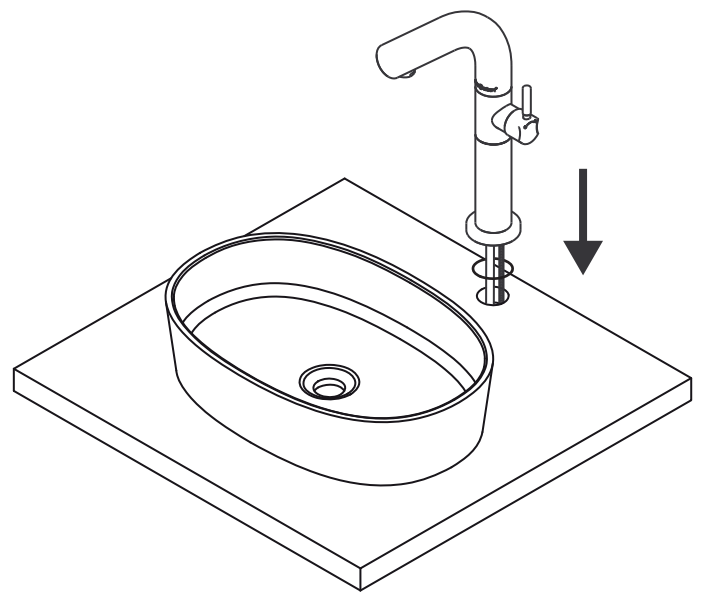
2.



3.



4.



5.

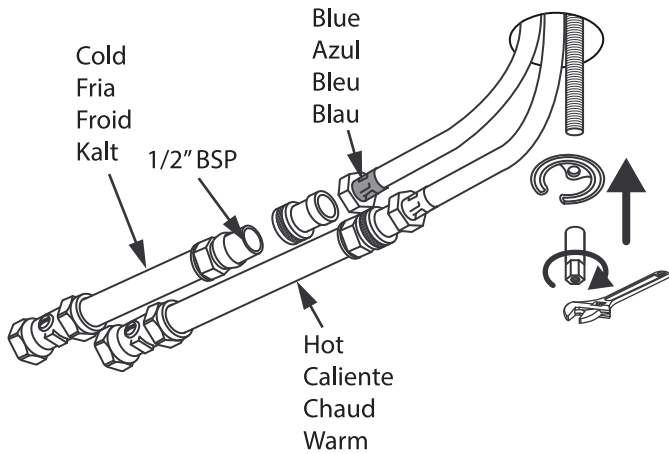


CHECK
COMPROBAR
VERIFER
ÜBERPRÜFEN

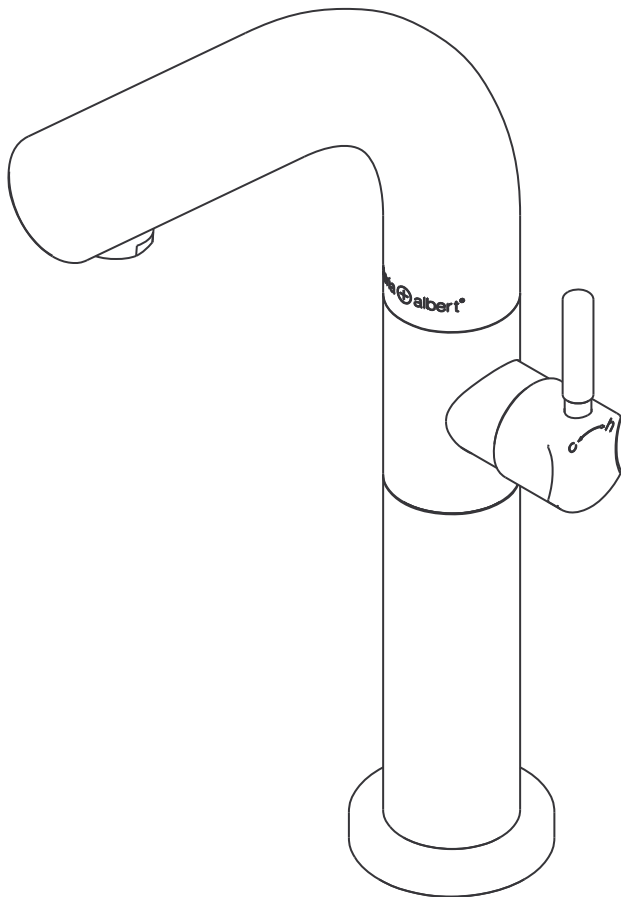
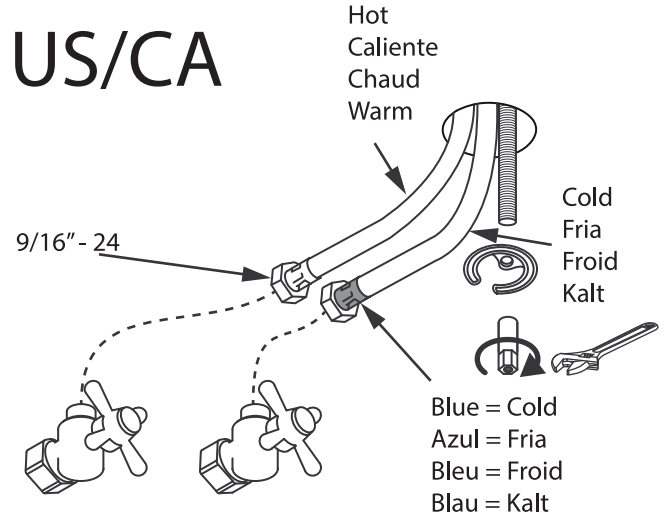


Clean Pipes
Limpiar Tuberias
Netoyer La Tuyaterie
Rohre Sauber Machen

UK/EU



US/CA



CHECK
COMPROBAR
VERIFER
ÜBERPRÜFEN

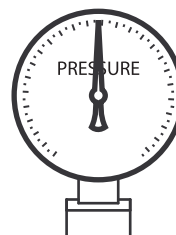
UK/EU



1 - 5 Bar

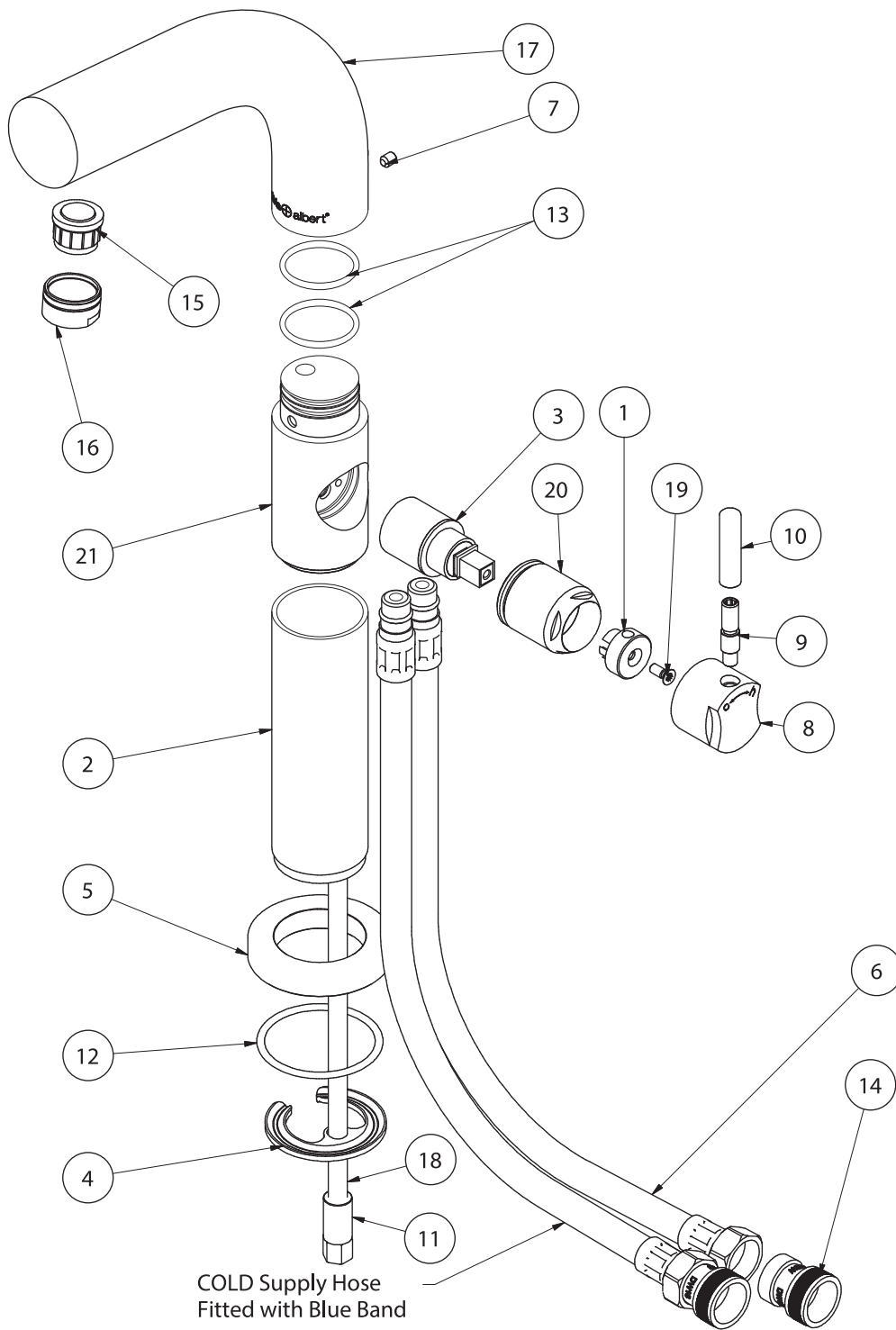
Max 14 L/min @ 3.0 Bar

US/CA



14.5 - 72.5 psi

Max 2.2 gpm @ 60 psi



- 1. Cartridge Adapter
- 2. Upstand
- 3. Cartridge
- 4. C Plate
- 5. Base Flange
- 6. Flexible Tails
- 7. Grub Screw
- 8. Handle
- 9. Handle Peg Lower
- 10. Handle Peg Upper
- 11. Back Nut
- 12. O Ring
- 13. Oring (x2)
- 14. Non Return Valve (x2) (EU Only)
- 15. Aerator
- 16. Aerator Housing
- 17. Spout
- 18. Threaded Bolt
- 19. Screw
- 20. Cartridge Shroud
- 21. Body