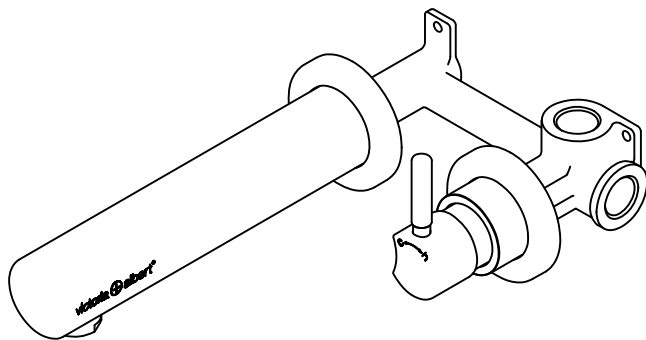


Tube TU-17



Fitting instructions

Notice d'installation

Instrucciones de montaje

Montageanleitung

Istruzioni di montaggio

Montagehandleiding

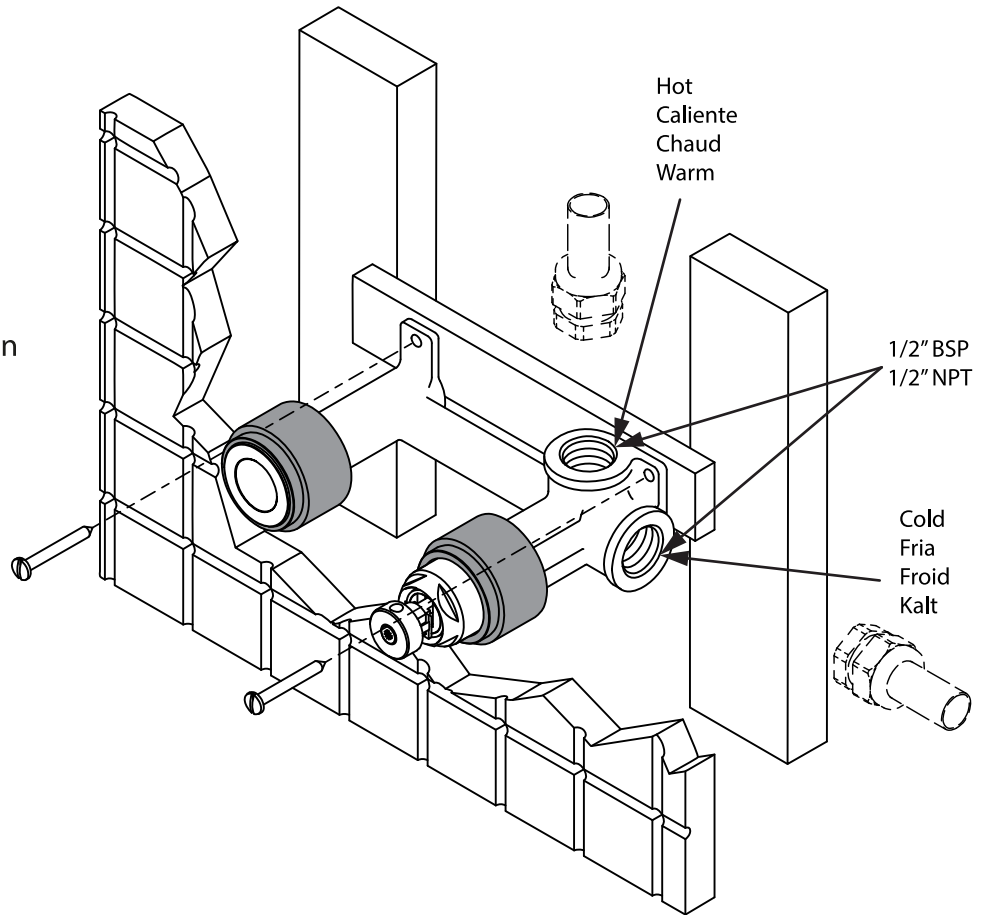
Instrukcja montażu

Указания по креплению

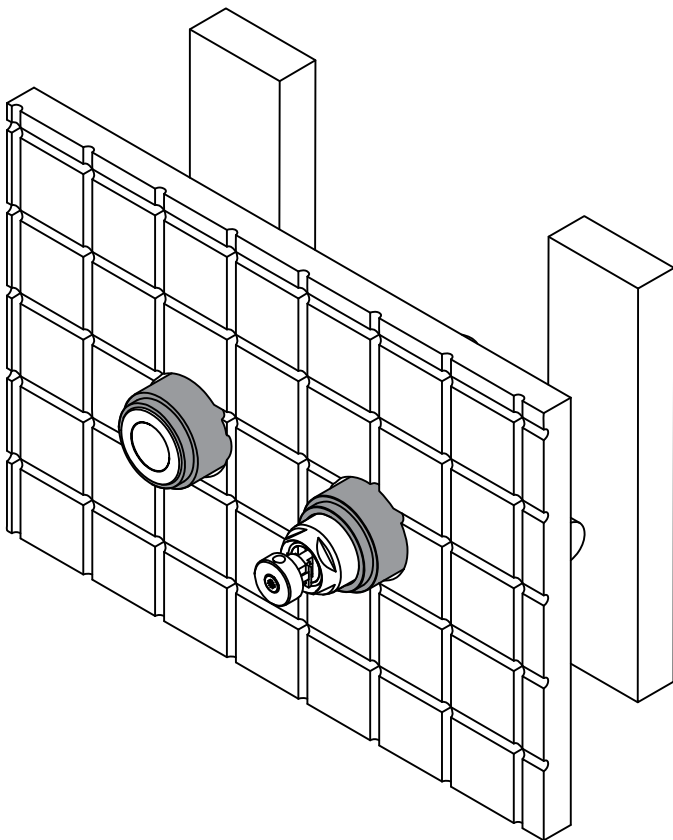
1.



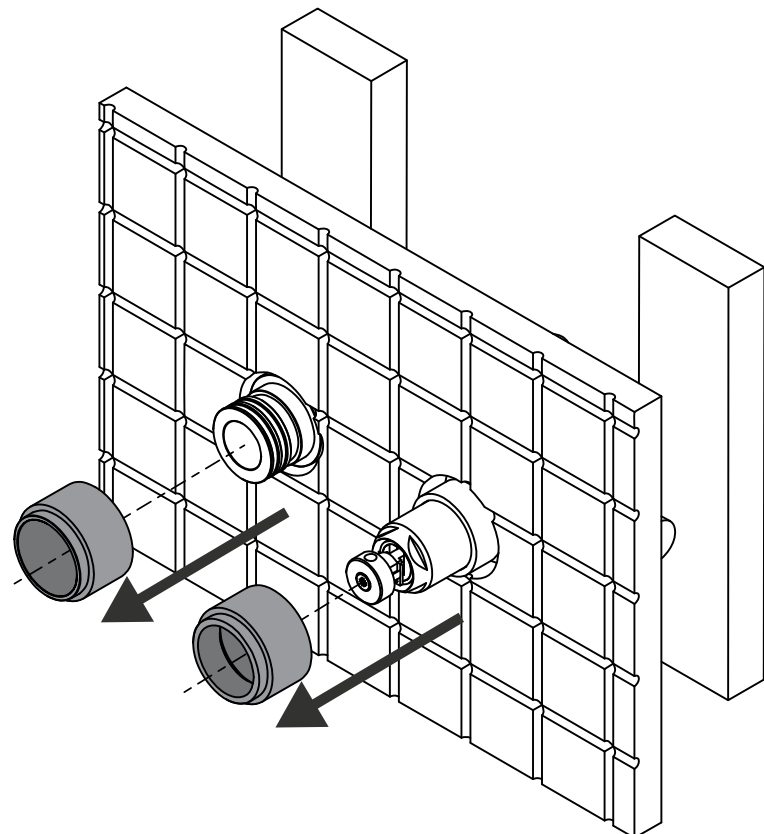
Clean Pipes
Limpiar Tuberias
Netoyer La Tuyaterie
Rohre Suaber Machen



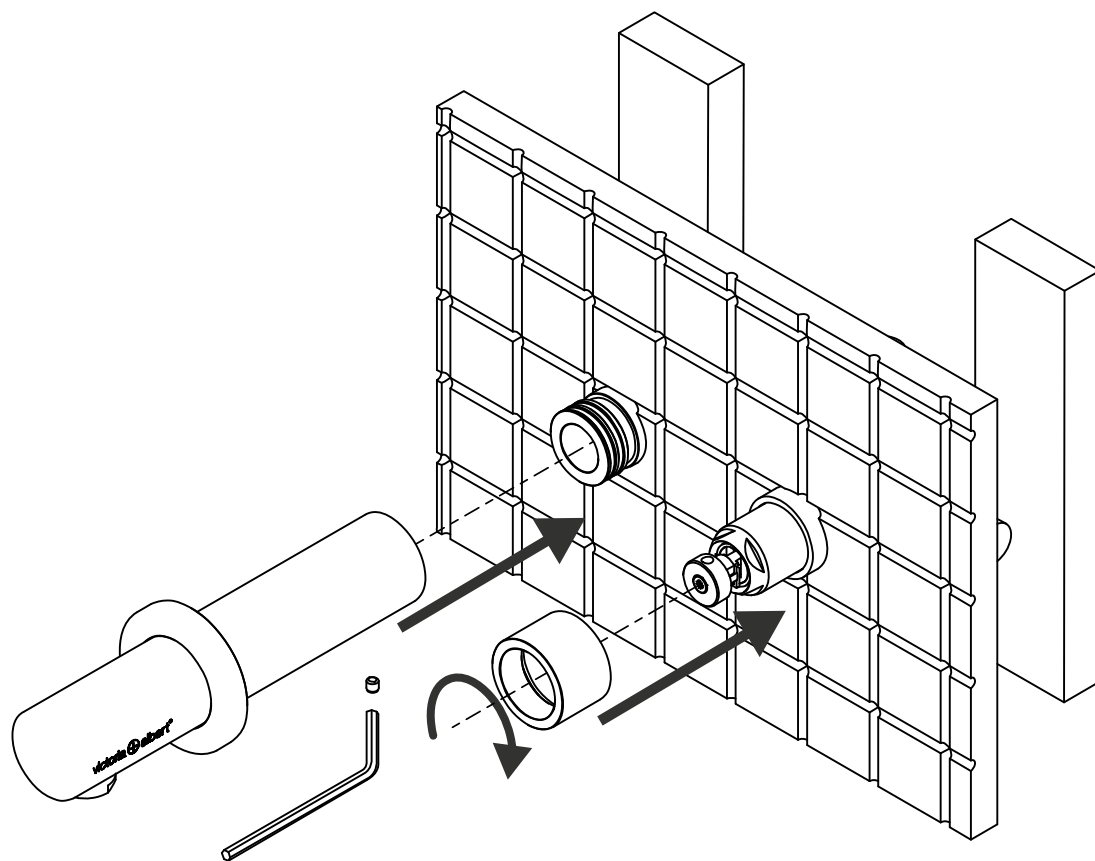
2.



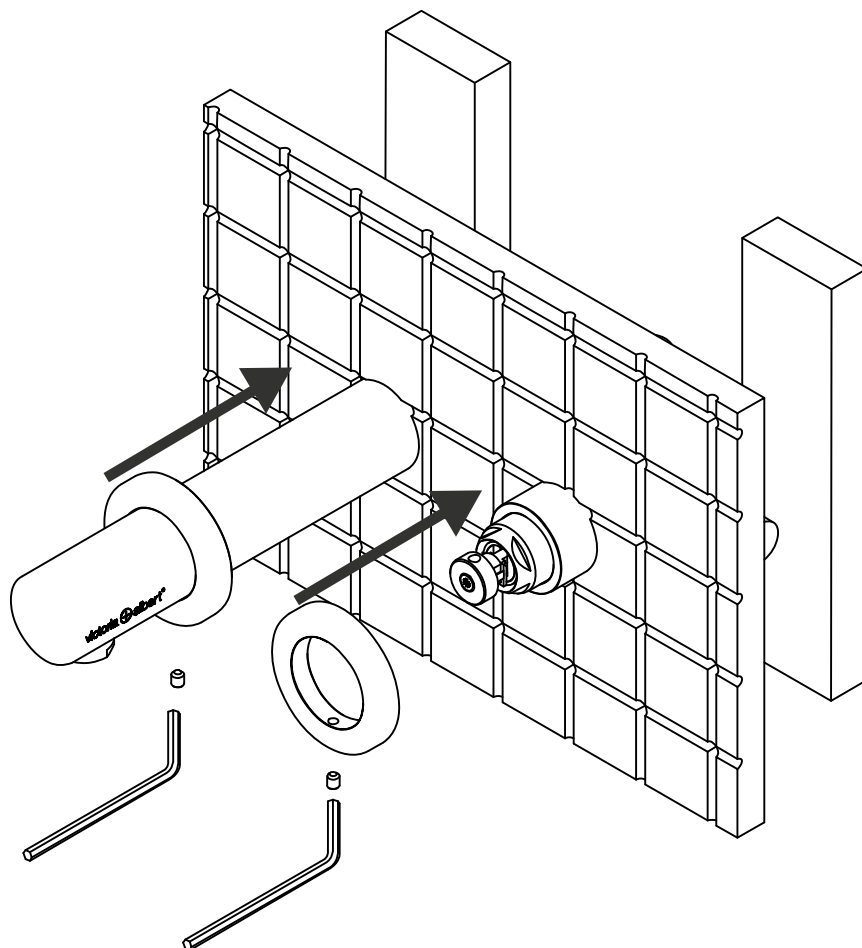
3.



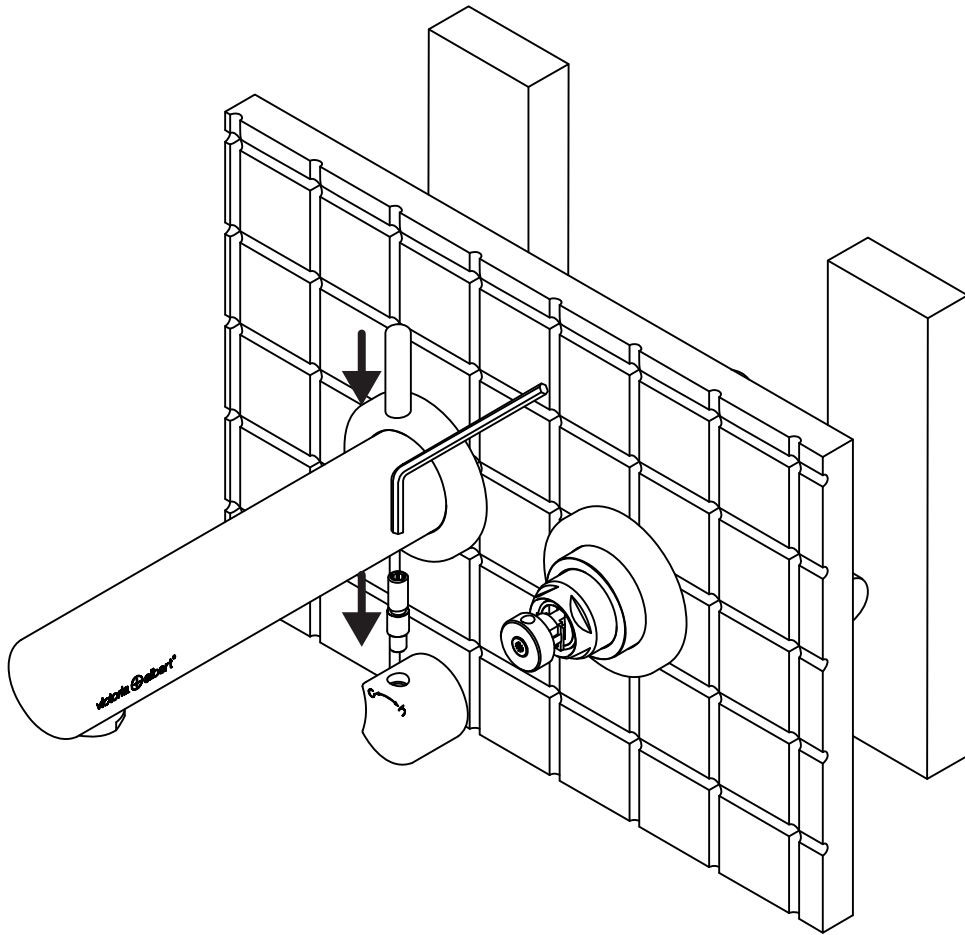
4.



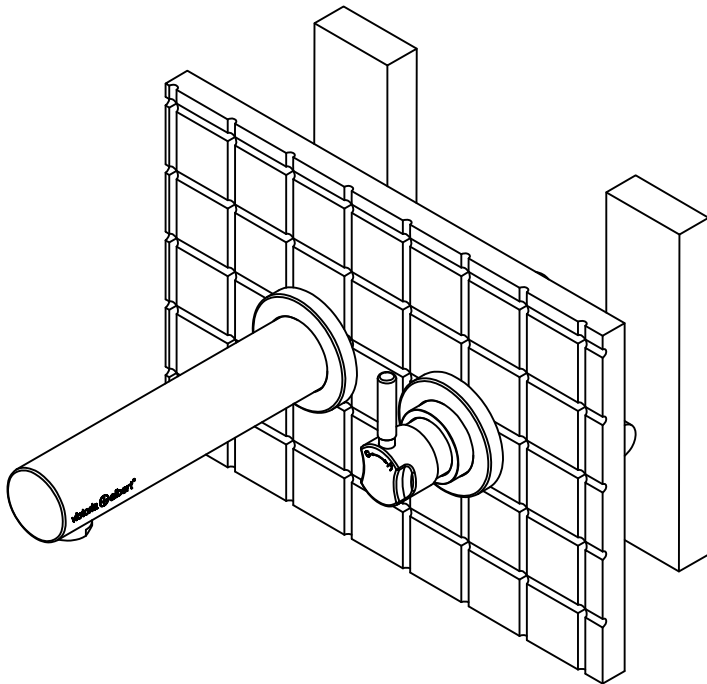
5.



6.



7.



CHECK
COMPROBAR
VERIFER
ÜBERPRÜFEN



UK/EU

1 - 5 Bar

Max 15 L/min @ 3.0 Bar



US/CA

14.5 - 72.5 psi

Max 1.5 gpm @ 60 psi

- 1. Handle adapter
- 2. Cartridge
- 3. Wall Flange
- 4. Grub Screw
- 5. Grub Screw
- 6. Handle
- 7. Handle Peg Lower
- 8. Handle Peg Upper
- 9. O Ring
- 10. Aerator
- 11. Aerator Housing
- 12. Spacer
- 13. Spout
- 14. Screw
- 15. Plaster Guard - Spout
- 16. Plaster Guard - Handle
- 17. Cartridge Shroud
- 18. Wall Rough
- 19. Washer

