





# Tubo 15

 Tubo thermostatic waterfall bath mixer with handheld shower attachment  
Minimum pressure (bar): 0.5  
Polished chrome (shown)

 Thermostatische Wasserfall Mischarmatur Tubo mit Handdusche  
Mindestdruck (bar): 0.5  
Chrom poliert (abgebildet)

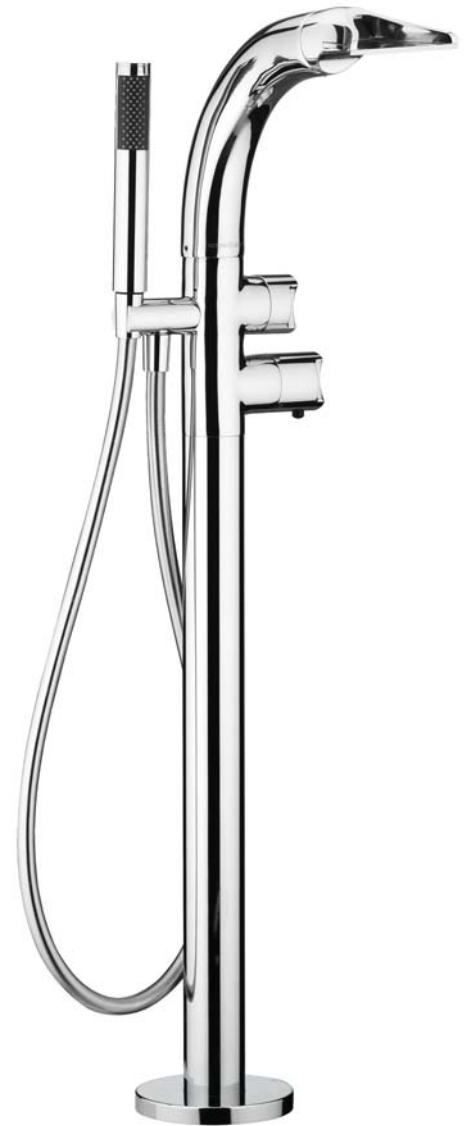
 Mitigeur bain thermostatique Tubo avec cascade ouverte et douchette  
Pression minimum (bar): 0.5  
Chromé (voir photo)

 Tubo grifería termostática con cascada para baño con ducha de mano  
Presión mínima (bar): 0.5  
Cromado brillante (ver foto)

 Miscelatore termostatico a cascata per vasca con attacco per doccetta a mano  
Pressione minima (bar): 0.5  
Cromo metallico lucidato (mostrato)

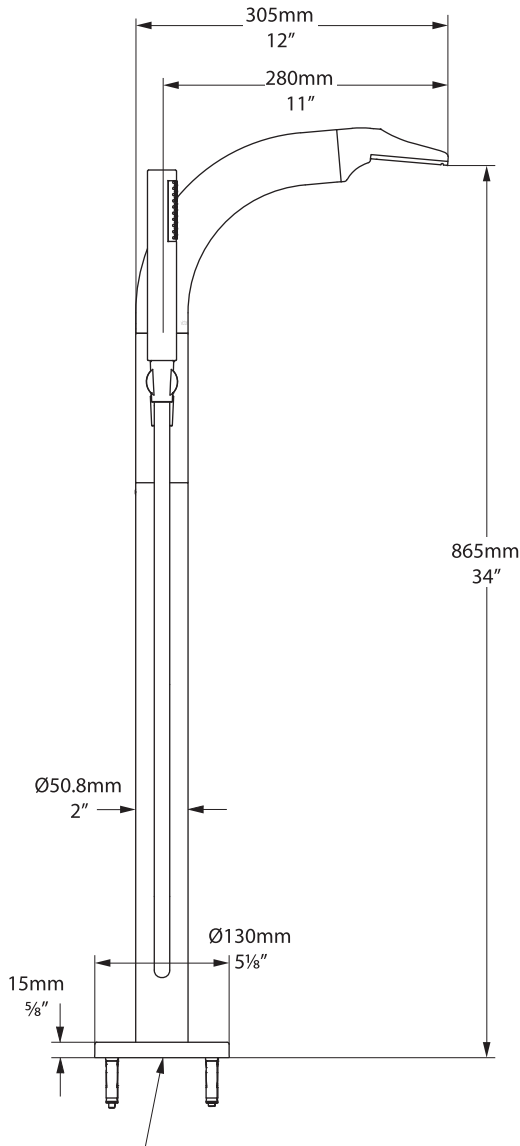
-  TU-15-PC Polished chrome, Chrom poliert, Chromé, Cromado brillante, Cromo metallico lucidato
-  TU-15-BN Brushed nickel, Nickel gebürstet, Nickel mat, Niquel satinado, nickel spazzolato

2  
years

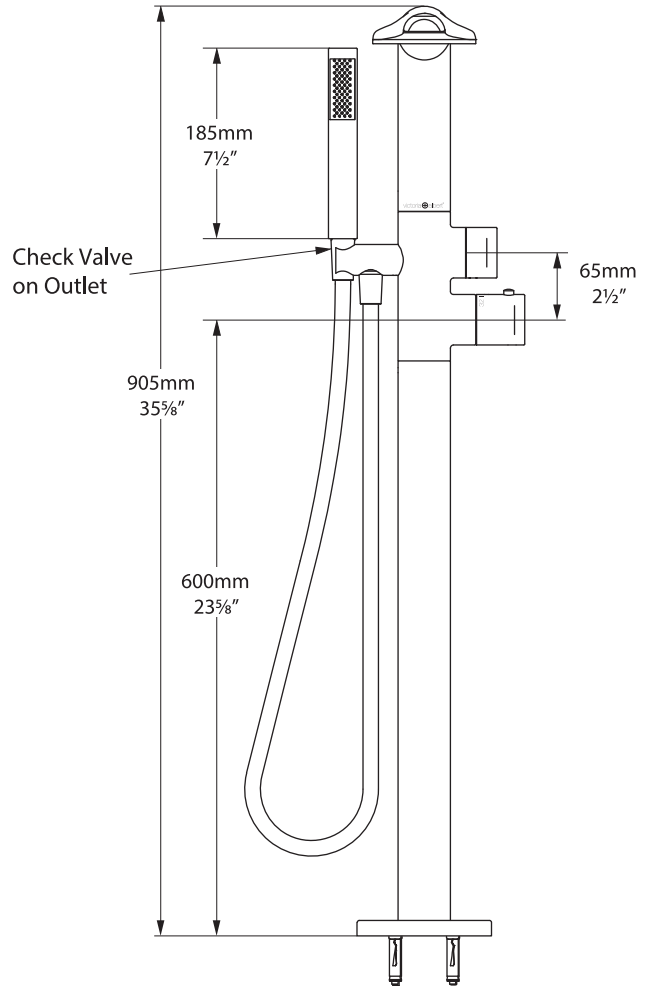


cUPC listing by IAPMO: File No. 8086  
Massachusetts Code: File No. P1-1013-141

# Tubo 15



12mm Quick Connect Fittings  
Cold Hose Marked Blue  
Check Valve On Each Inlet



## Tubo 15

UK 0.5bar minimum, 1.0bar recommended  
DE 0.5bar Minimum 1.0bar empfohlen  
FR Minimum 0,5 bar, 1,0 bar recommandée  
ES Mínimo 0,5 bar, 1.0bar recomendado  
IT Minimo di 0,5 bar, 1.0bar raccomandata

\*All measurements subject to +/-5% tolerance

Pressure (bar)	0.5	1.0	1.5	2.0	3.0	4.0	5.0
Flow (lpm)*	14	21	27	31	37	43	46

\*Through Bath Filler

