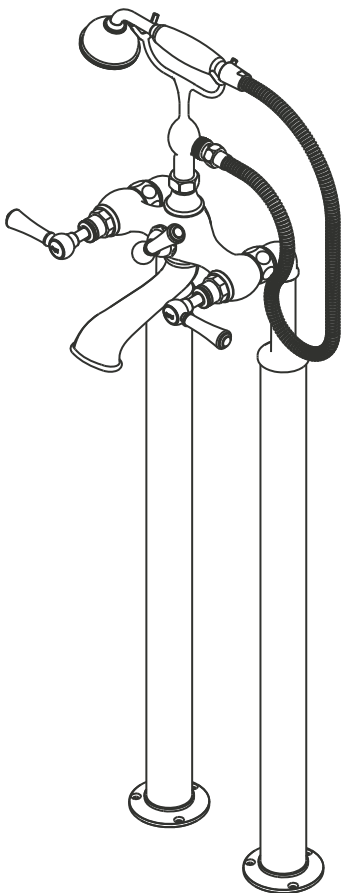
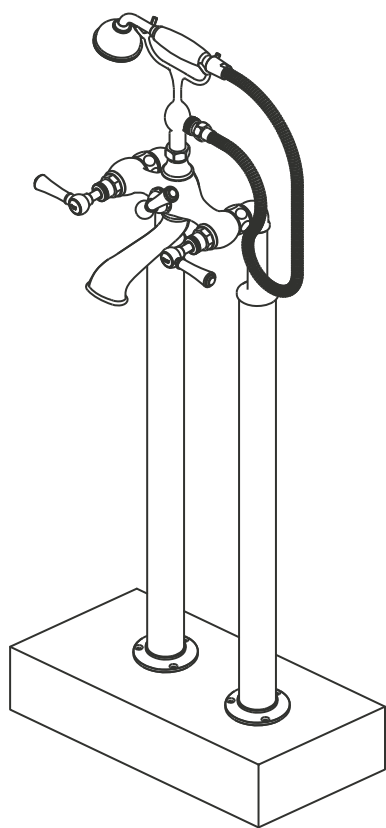


Staffordshire STA14 with STA12

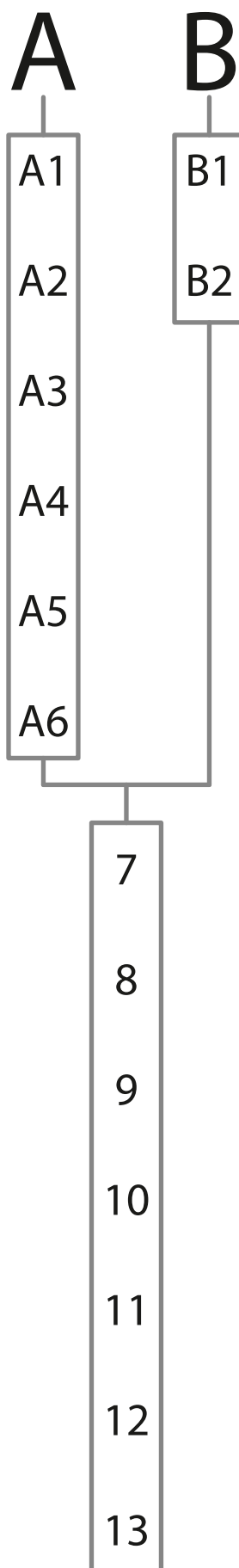
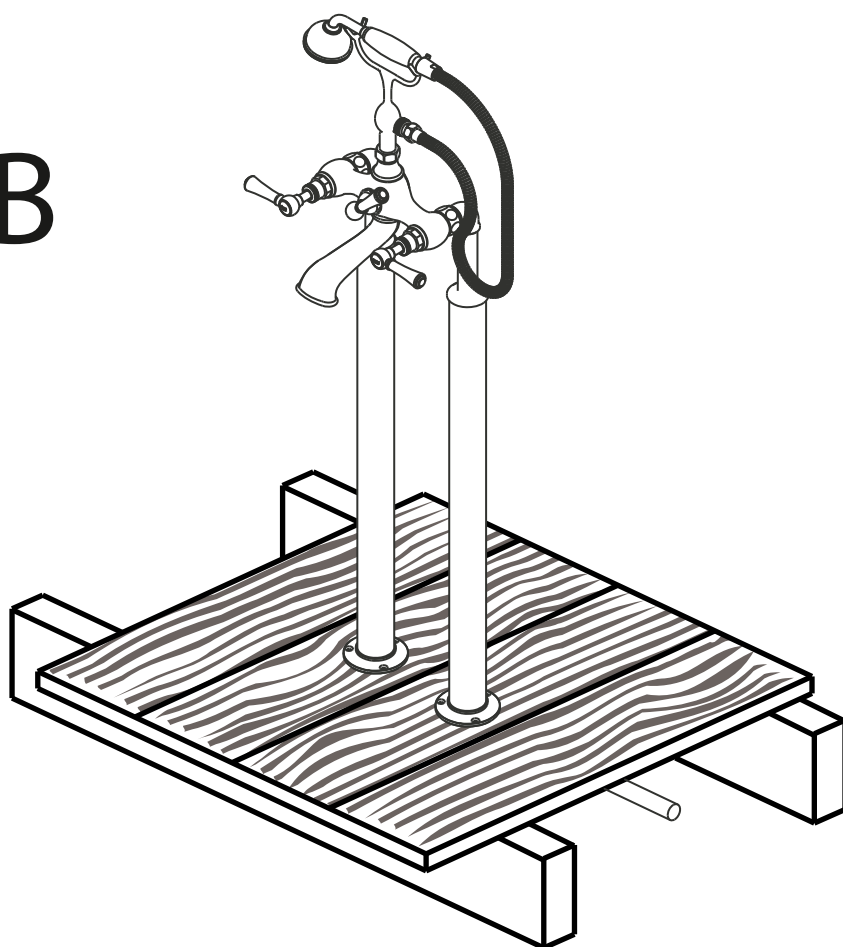


Fitting instructions
Notice d'installation
Instrucciones de montaje
Montageanleitung
Istruzioni di montaggio
Montagehandleiding
Instrukcja montażu
Указания по креплению

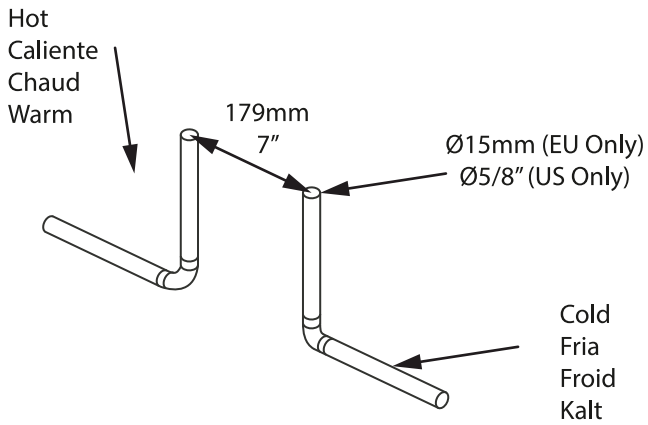
A



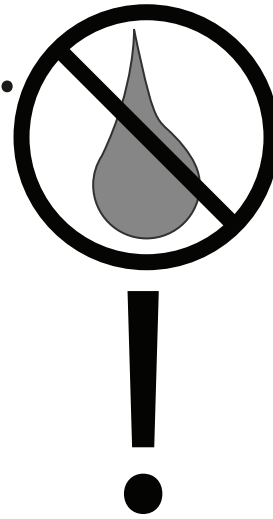
B



A1.

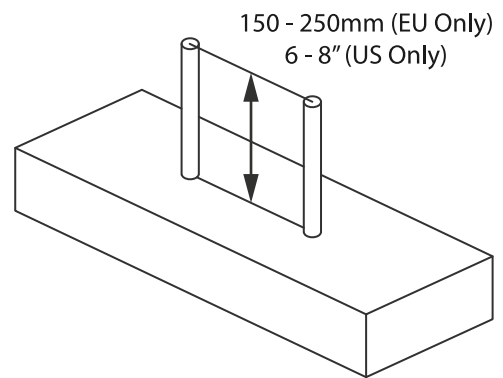


A2.

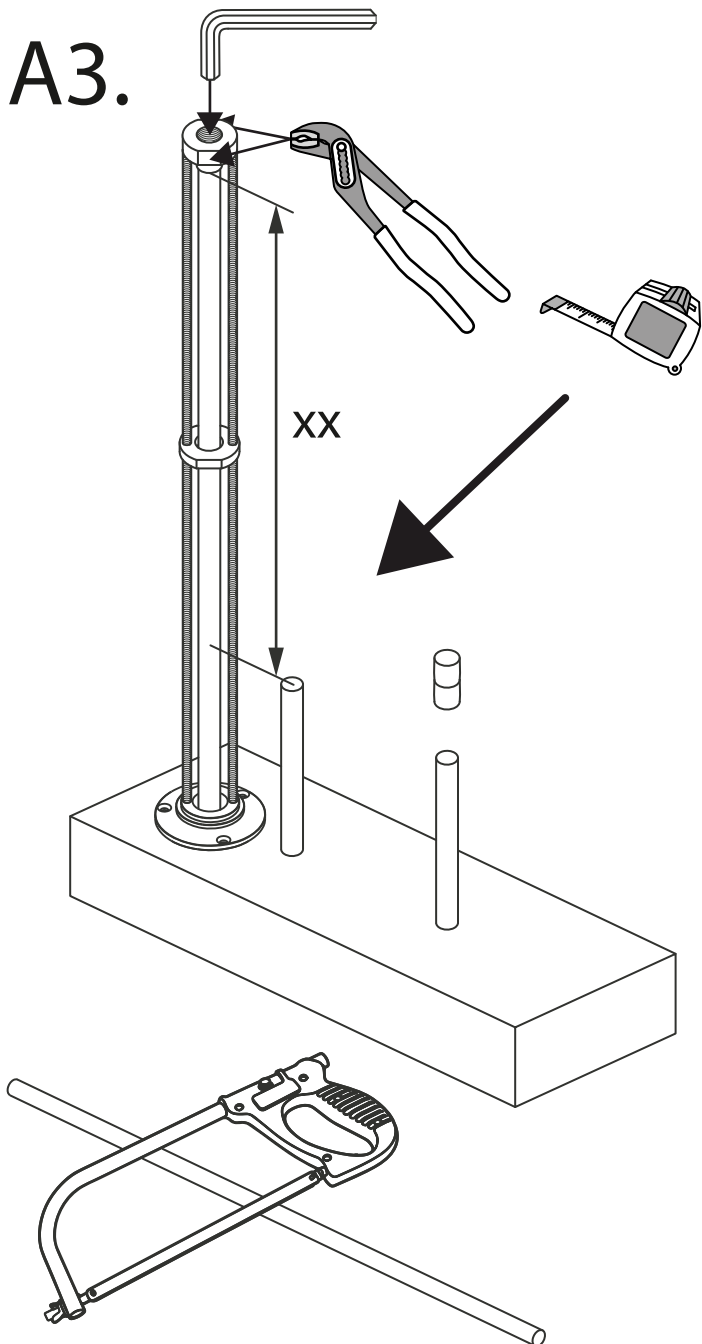


CHECK
COMPROBAR
VERIFER
ÜBERPRÜFEN

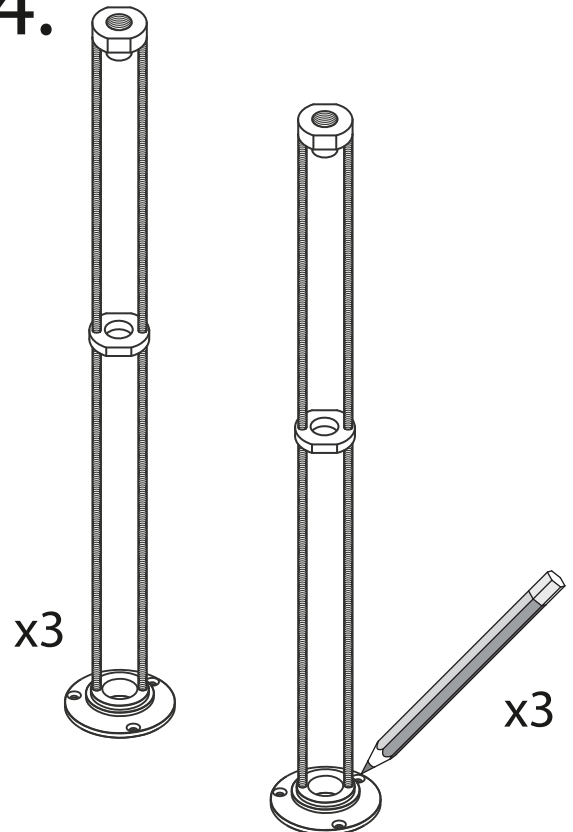
Clean Pipes
Limpiar Tuberias
Netoyer La Tuyaterie
Rohre Sauber Machen



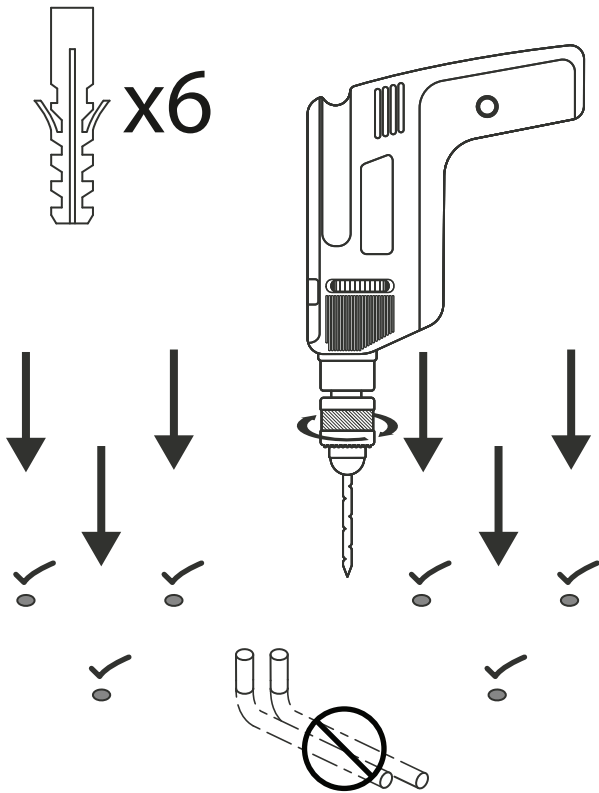
A3.



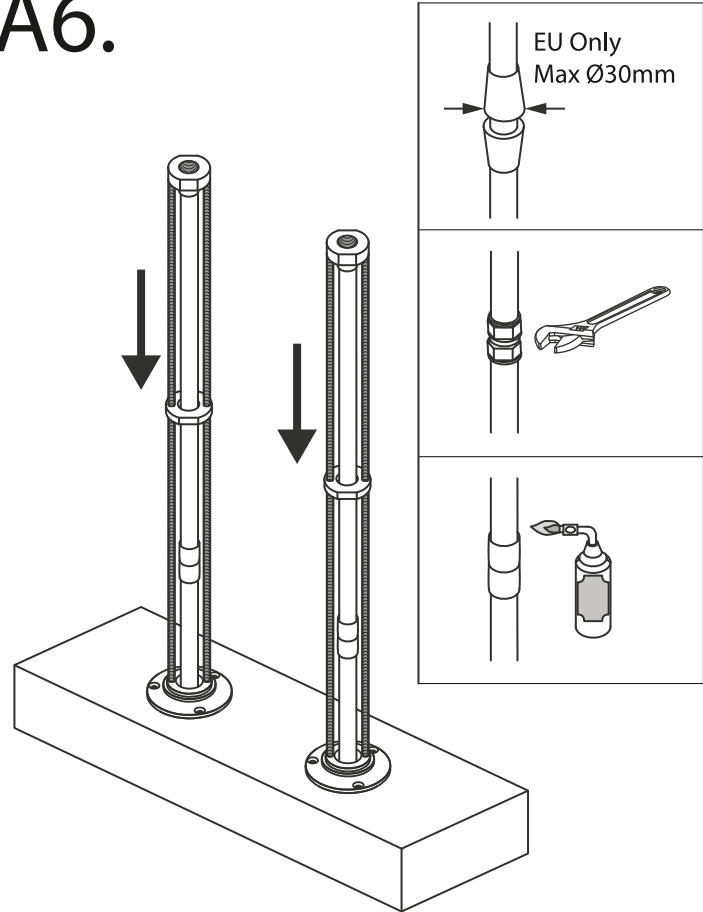
A4.



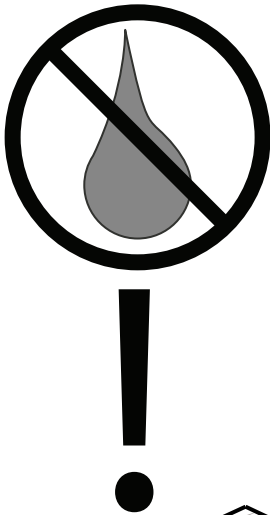
A5.



A6.



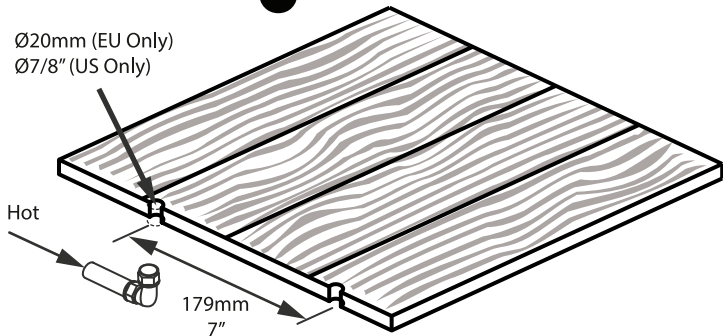
B1.



CHECK
COMPROBAR
VERIFER
ÜBERPRÜFEN

Clean Pipes
Limpiar Tuberias
Netoyer La Tuyaterie
Rohre Sauber Machen

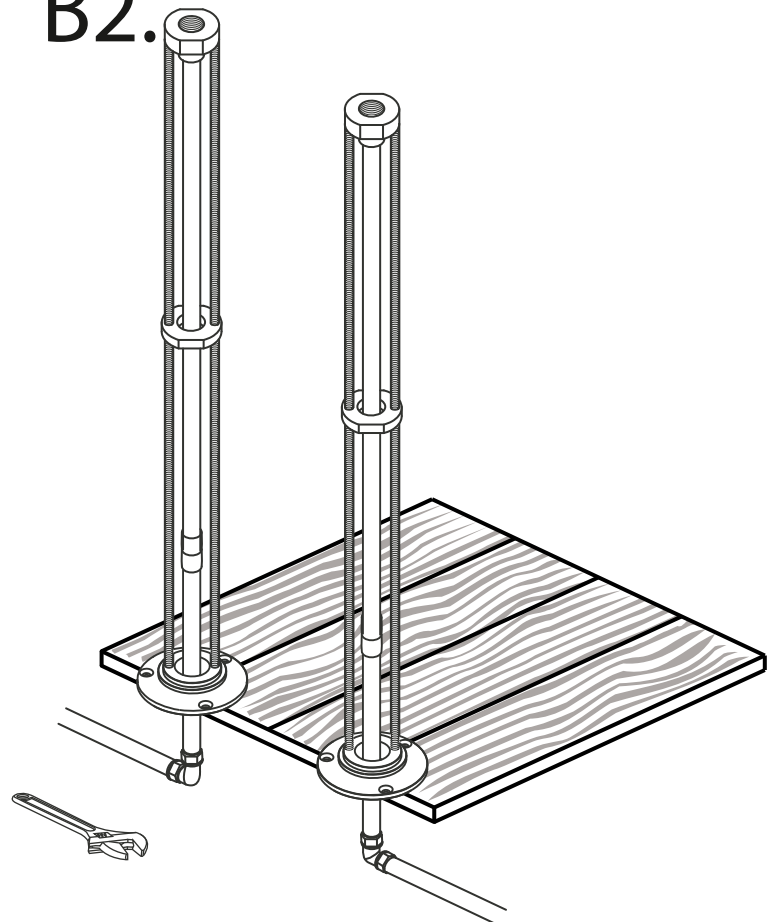
Ø20mm (EU Only)
Ø7/8" (US Only)



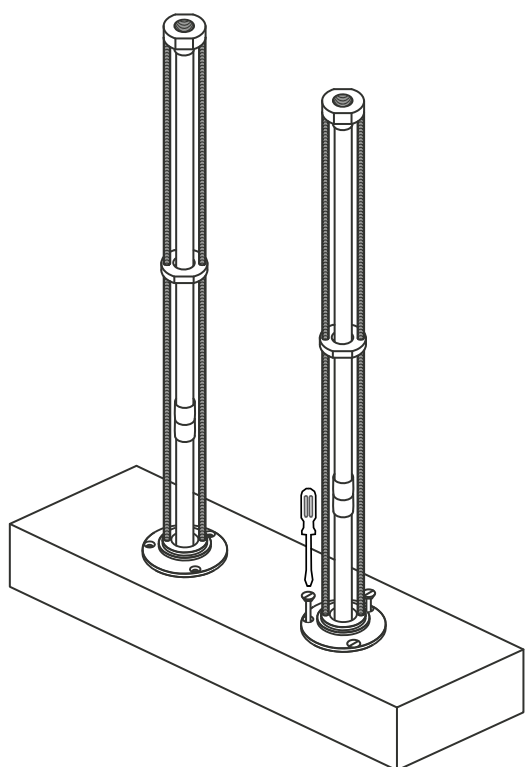
Ø15mm (EU Only)
Ø5/8" (US Only)

Cold

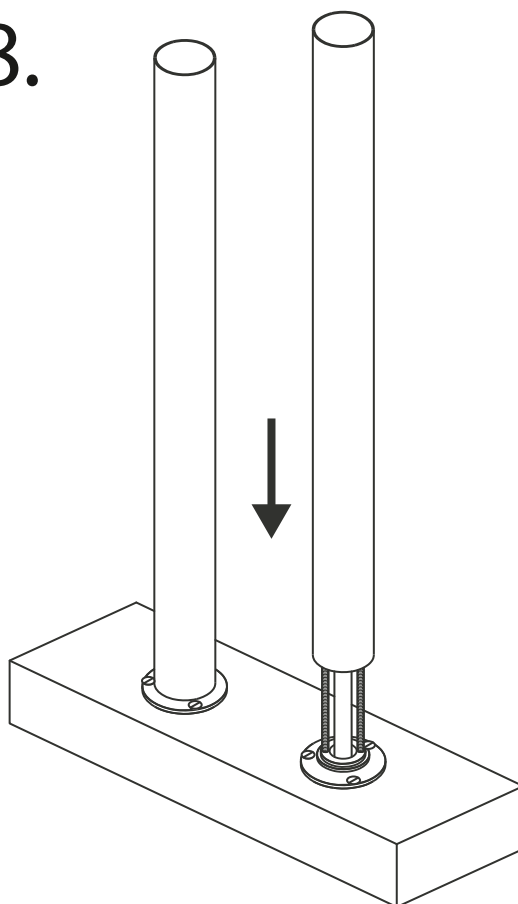
B2.



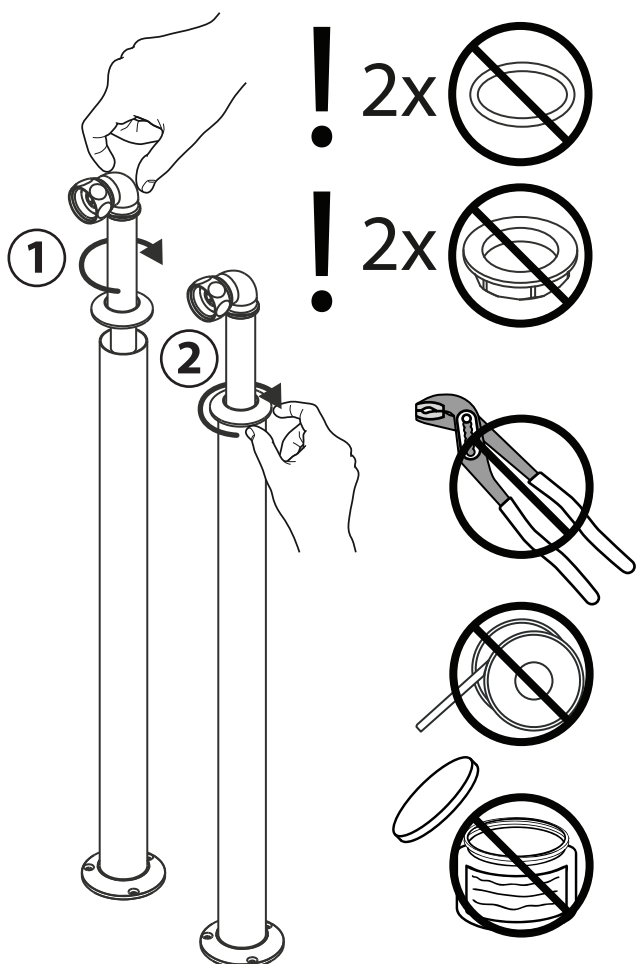
7.



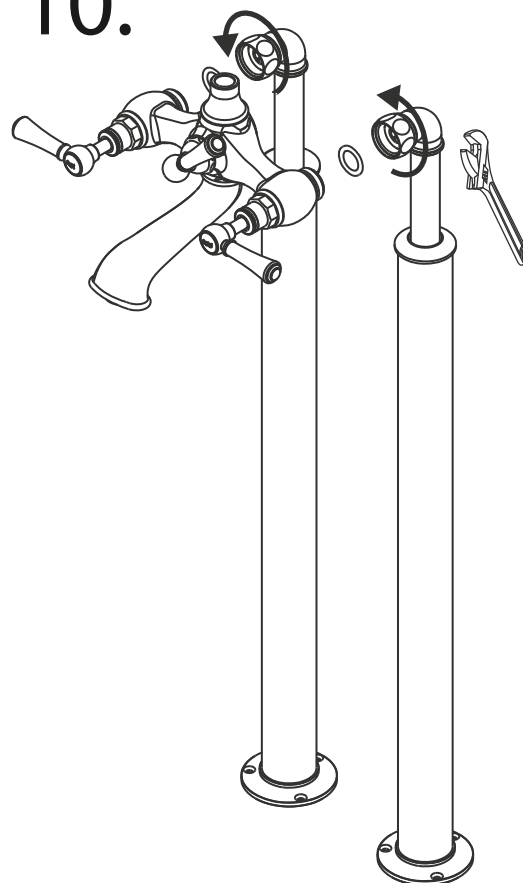
8.



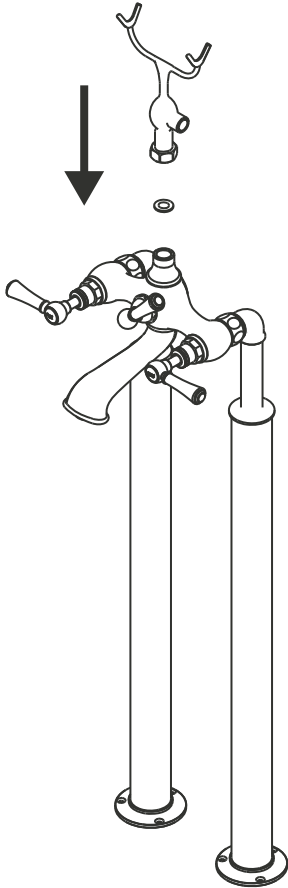
9.



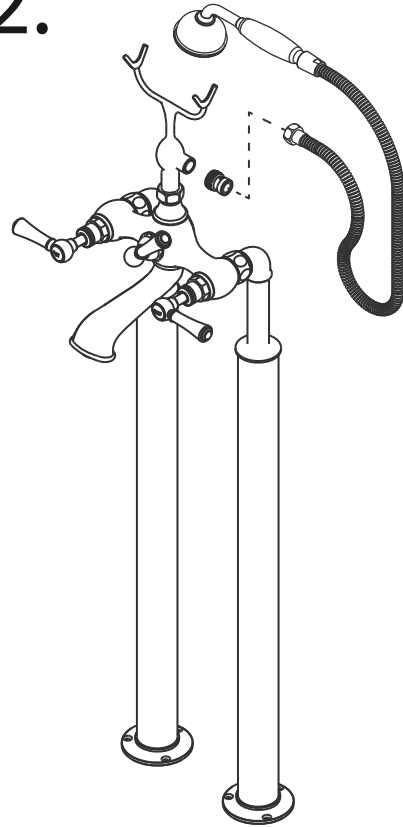
10.



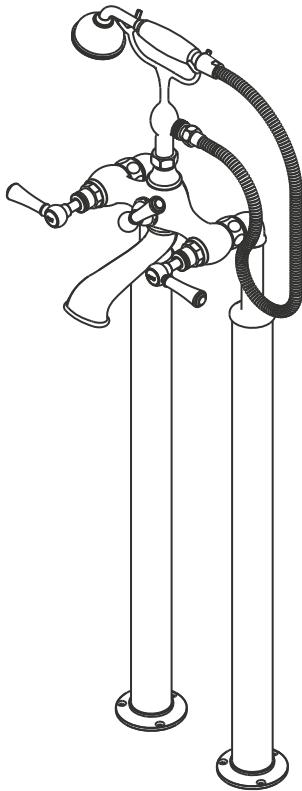
11.



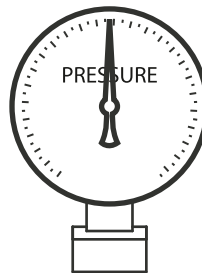
12.



13.



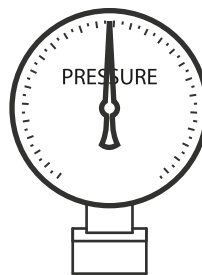
CHECK
COMPROBAR
VERIFER
ÜBERPRÜFEN



UK/EU

0.5 - 5 Bar

Max 50L/min @ 3.0 Bar



US/CA

7.5 - 72.5 psi

Max 9 gpm @ 45 psi

Max 9.5 L/min (2.5 gpm)

ASSE 1070 unit must be installed
at HOT SIDE INLET (not included)

Max temp outlet 120°F



- 1. Leg flange
- 2. Screw
- 3. O rings
- 4. Support ring
- 5. Top support ring
- 6. Studding
- 7. Screw
- 8. Tube
- 9. Feed tube

