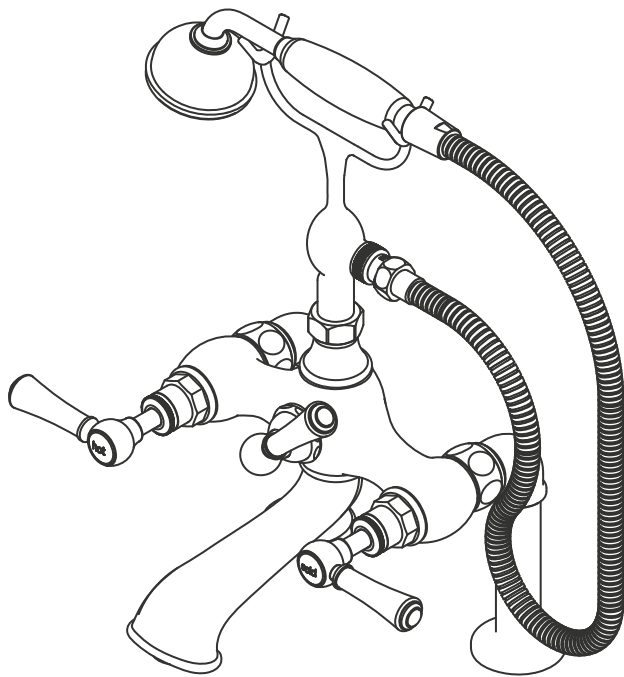


Staffordshire STA12



Fitting instructions

Notice d'installation

Instrucciones de montaje

Montageanleitung

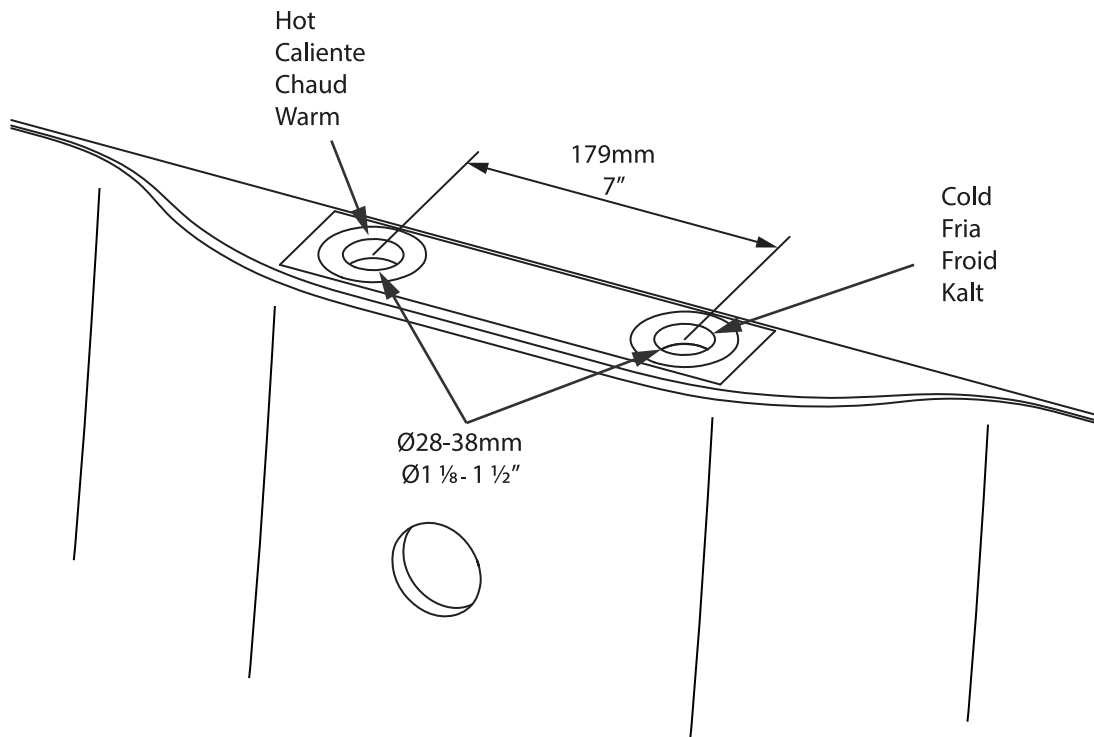
Istruzioni di montaggio

Montagehandleiding

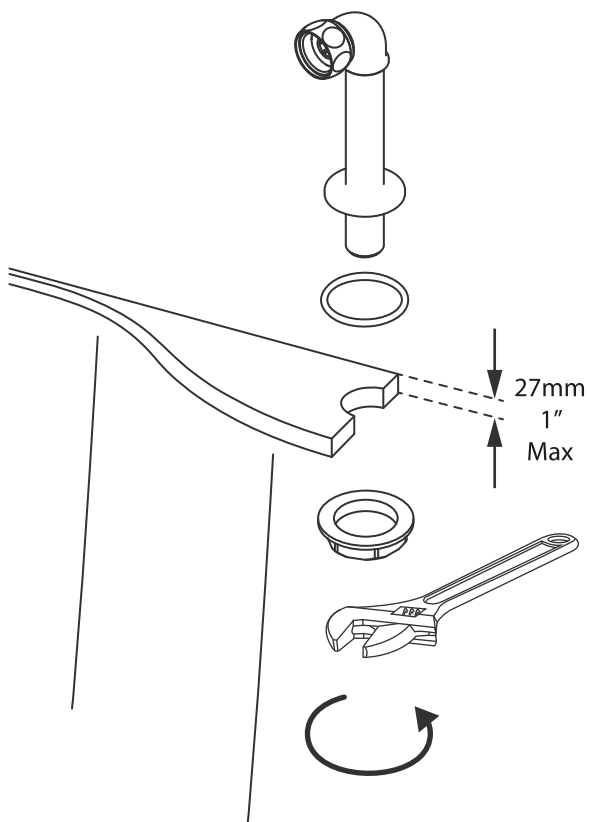
Instrukcja montażu

Указания по креплению

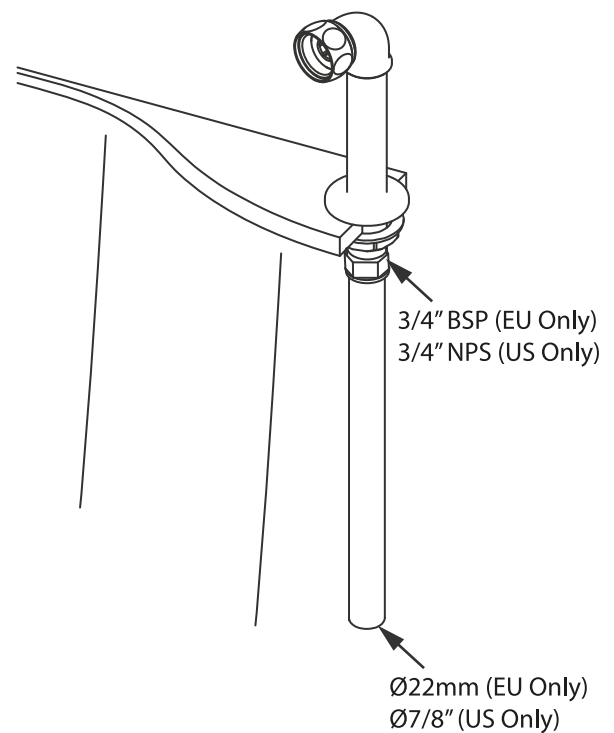
1.



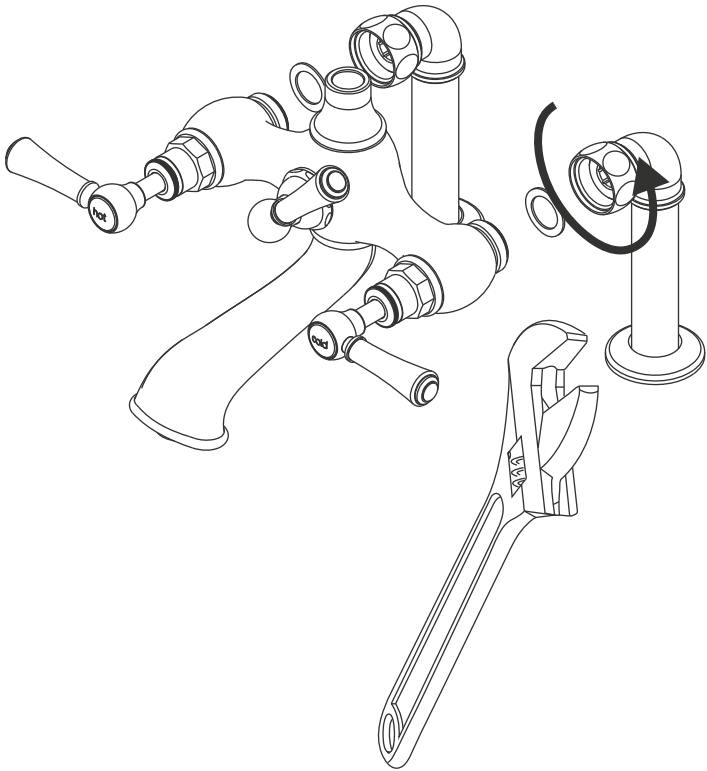
2.



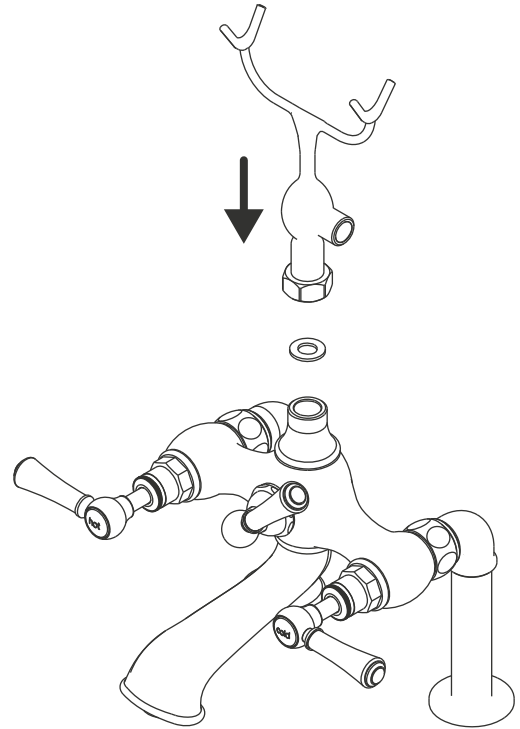
3.



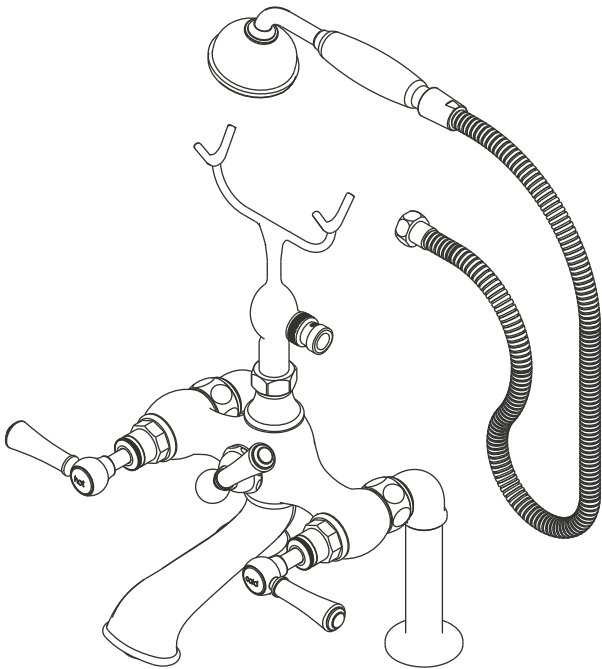
4.



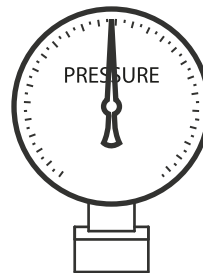
5.



6.



CHECK
COMPROBAR
VERIFER
ÜBERPRÜFEN



UK/EU

0.5 - 5 Bar

Max 50L/min @ 3.0 Bar



US/CA

7.5 - 72.5 psi

Max 9 gpm @ 45 psi

Max 9.5 L/min (2.5 gpm)

ASSE 1070 unit must be installed
at HOT SIDE INLET (not included)

Max temp outlet 120°F



- 1. Aerator
- 2. 1/4 Turn Cartridge
- 3. Diverter Valve
- 4. O ring
- 5. Diverter Cover
- 6. Diverter Shuttle
- 7. Screw
- 8. Cold Handle
- 9. Hot Handle
- 10. Cap

- 11. O ring
- 12. O ring
- 13. Spout Retainer
- 14. O ring
- 15. O ring
- 16. Cap
- 17. Spout
- 18. O ring
- 19. O ring
- 20. O ring

- 21. Diverter Handle
- 22. O ring
- 23. Valve seat
- 24. Deck legs (x2)
- 25. Non Return Valve
- 26. Cradle
- 27. Handset
- 28. Hose
- 29. Washer

