

Staffordshire STA-10

Fitting instructions

Notice d'installation

Instrucciones de montaje

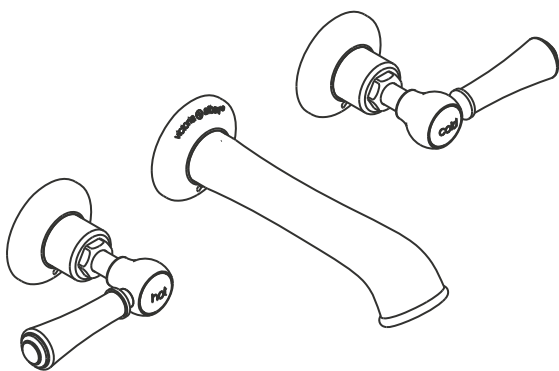
Montageanleitung

Istruzioni di montaggio

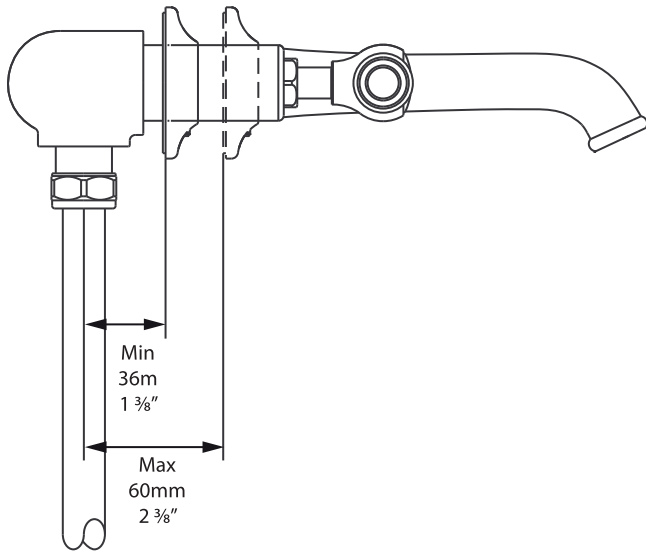
Montagehandleiding

Instrukcja montażu

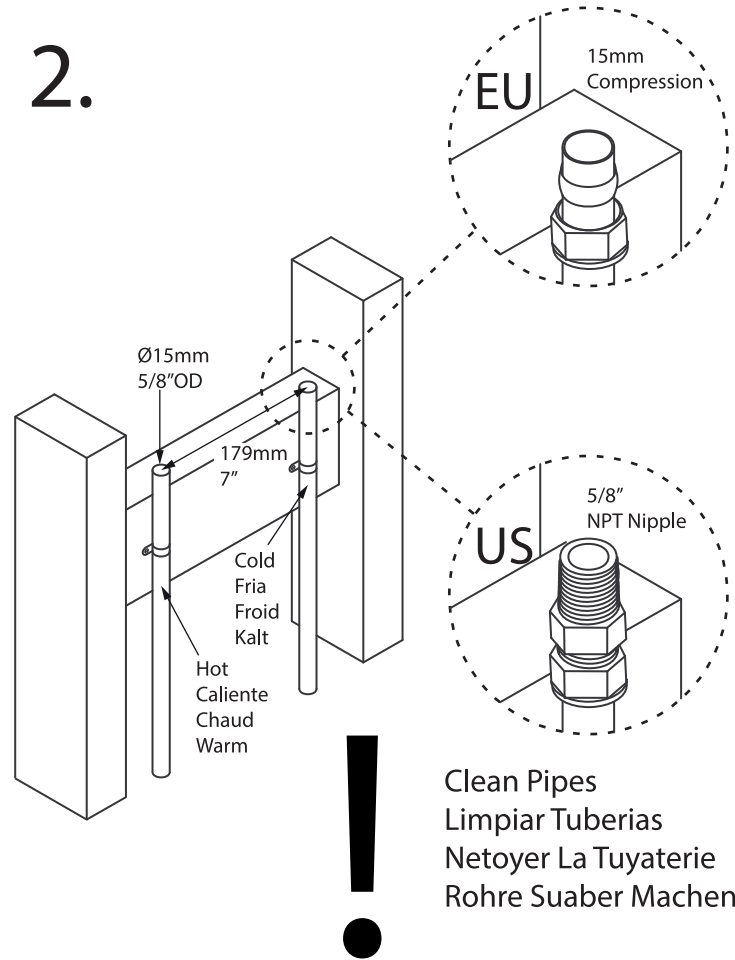
Указания по креплению



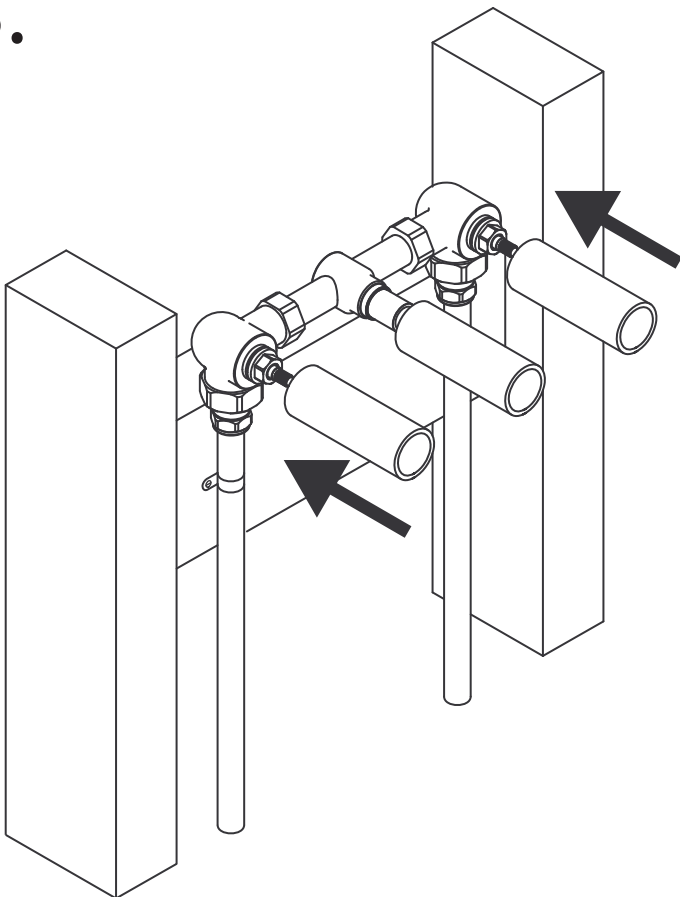
1.



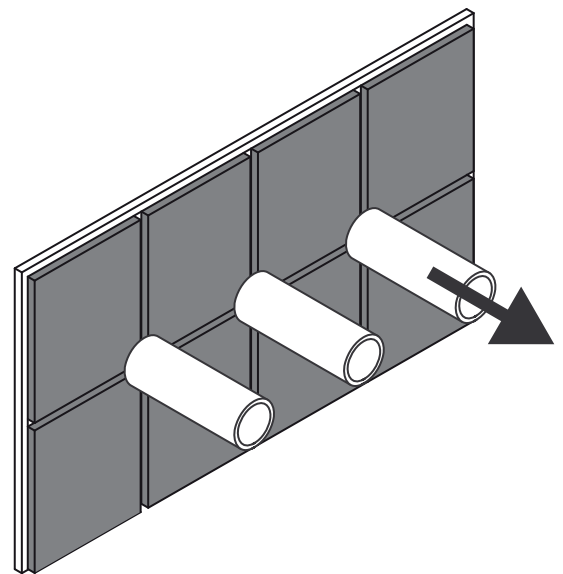
2.



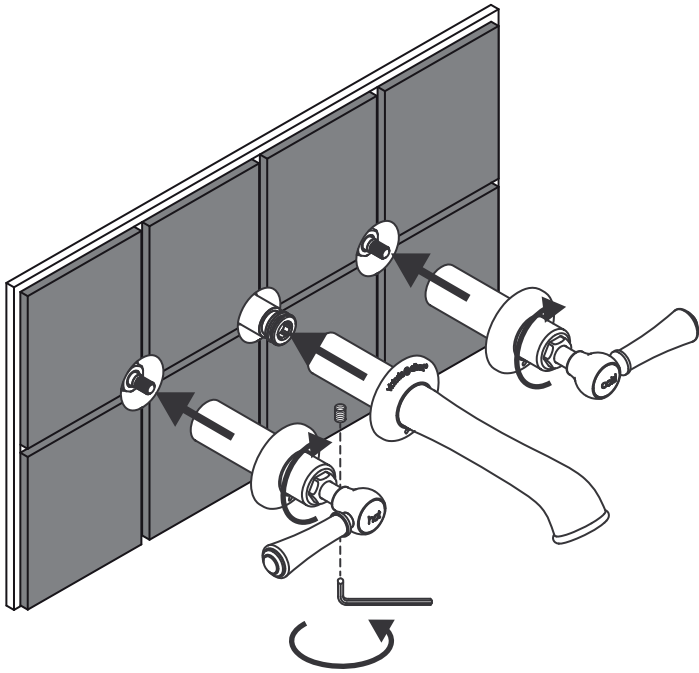
3.



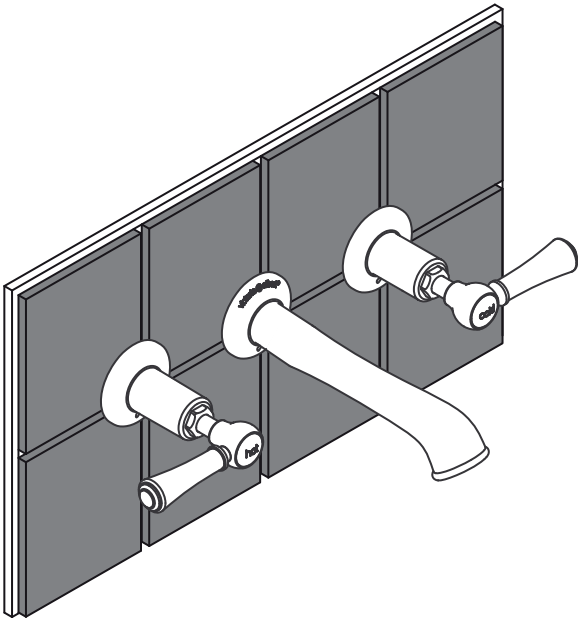
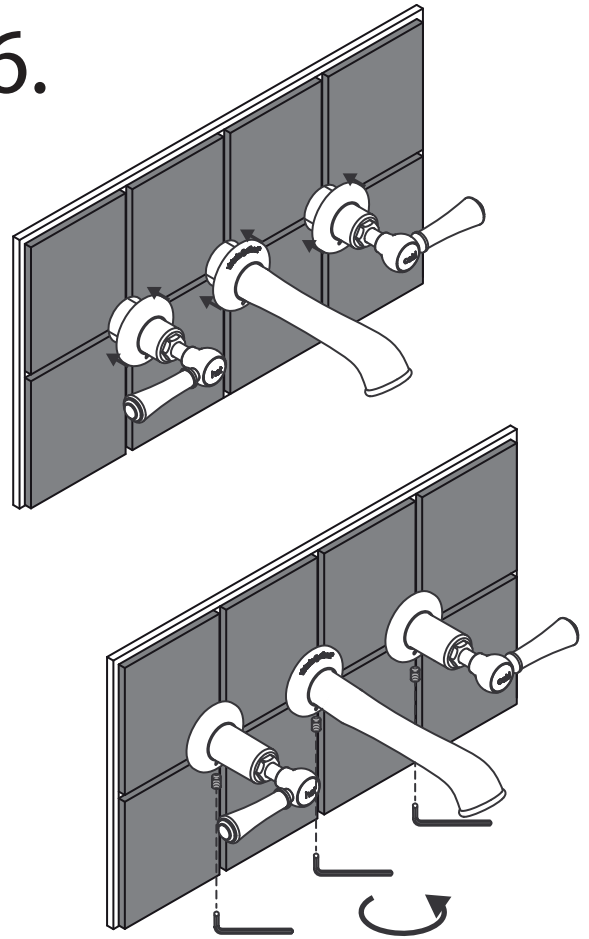
4.



5.



6.



CHECK
COMPROBAR
VERIFER
ÜBERPRÜFEN



UK/EU

1 - 5 Bar

Max 9 L/min @ 3.0 Bar



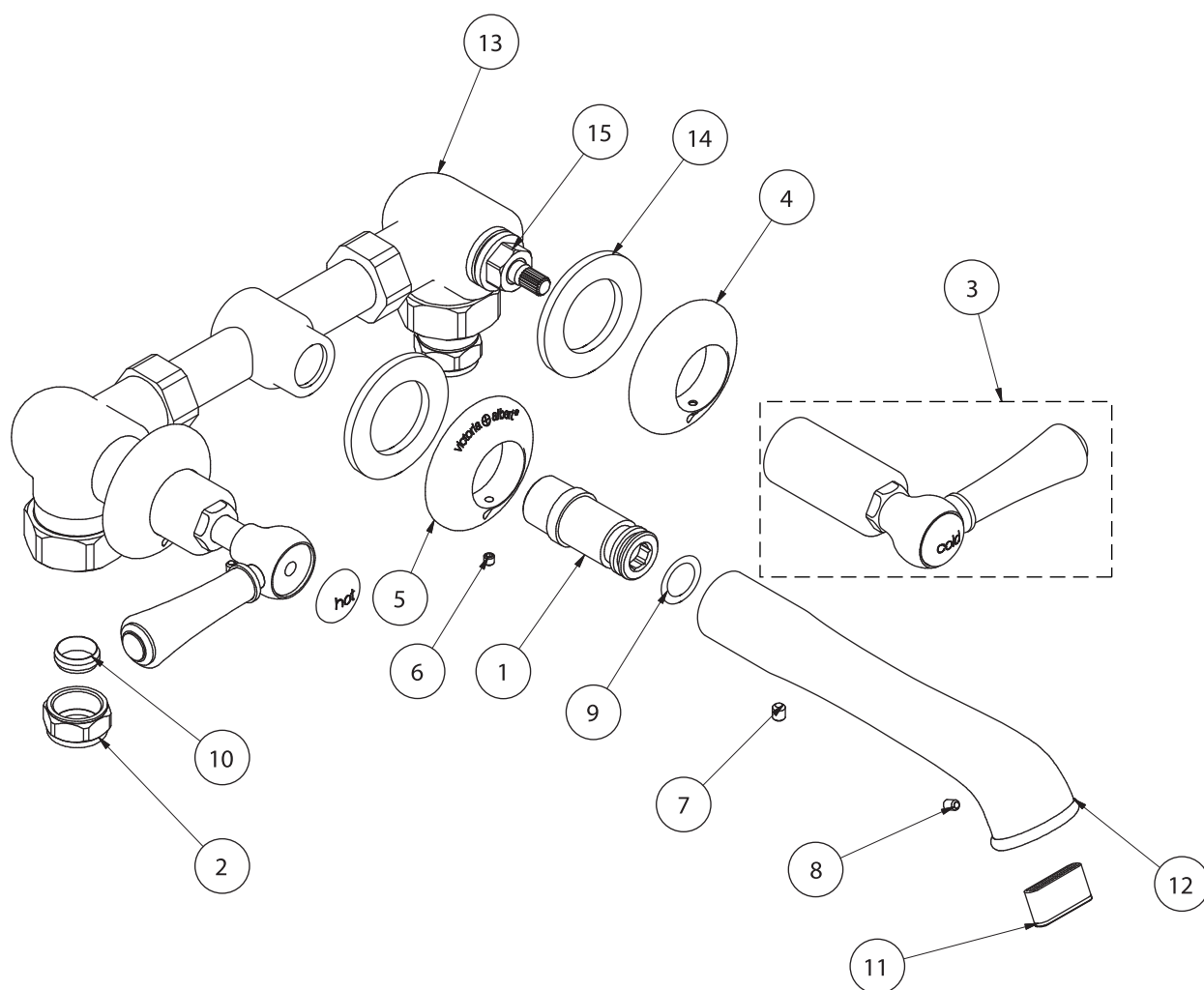
US/CA

14.5 - 72.5 psi

Max 2.2 gpm @ 60 psi

EU version

- | | |
|----------------|------------------------|
| 1. Adapter | 9. O ring |
| 2. Nut | 10. Olive |
| 3. Lever | 11. Aerator |
| 4. Wall Flange | 12. Spout |
| 5. Wall Flange | 13. Wall Valve |
| 6. Screw | 14. Washer |
| 7. Screw | 15. 1/4 Turn Cartridge |
| 8. Screw | |



US version

- | | |
|-----------------|------------------------|
| 1. Adapter | 8. Screw |
| 2. Flow Limiter | 9. O ring |
| 3. Lever | 10. Aerator |
| 4. Wall Flange | 11. Spout |
| 5. Wall Flange | 12. Wall Valve |
| 6. Screw | 13. Washer |
| 7. Screw | 14. 1/4 Turn Cartridge |

