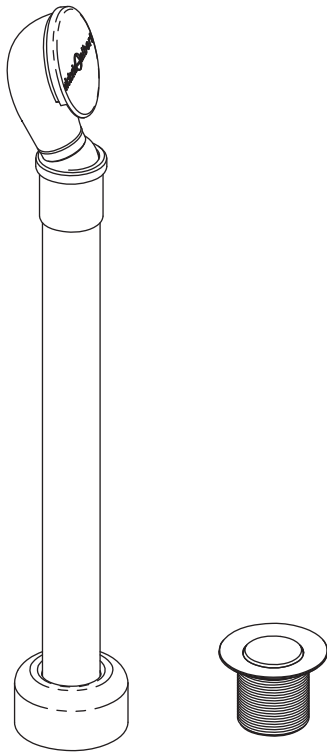


K17/SPE-CAP



Fitting instructions

Notice d'installation

Instrucciones de montaje

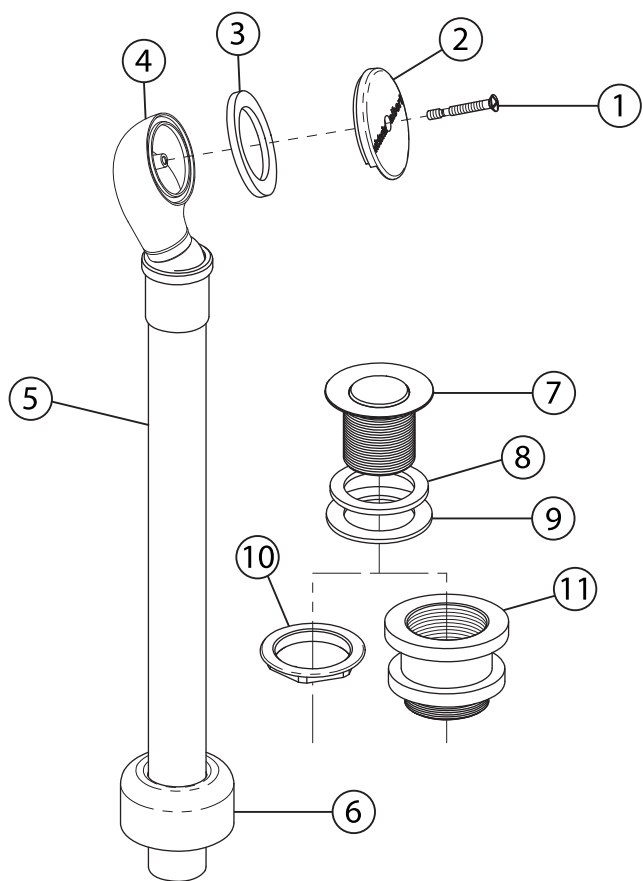
Montageanleitung

Istruzioni di montaggio

Montagehandleiding

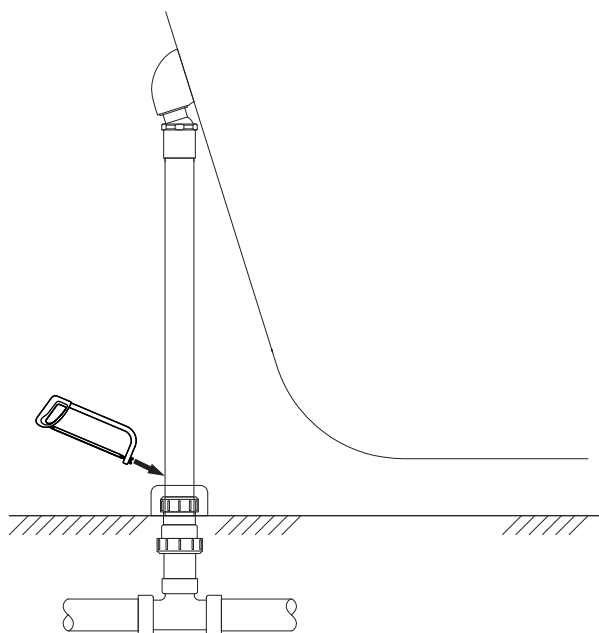
Instrukcja montażu

Указания по креплению

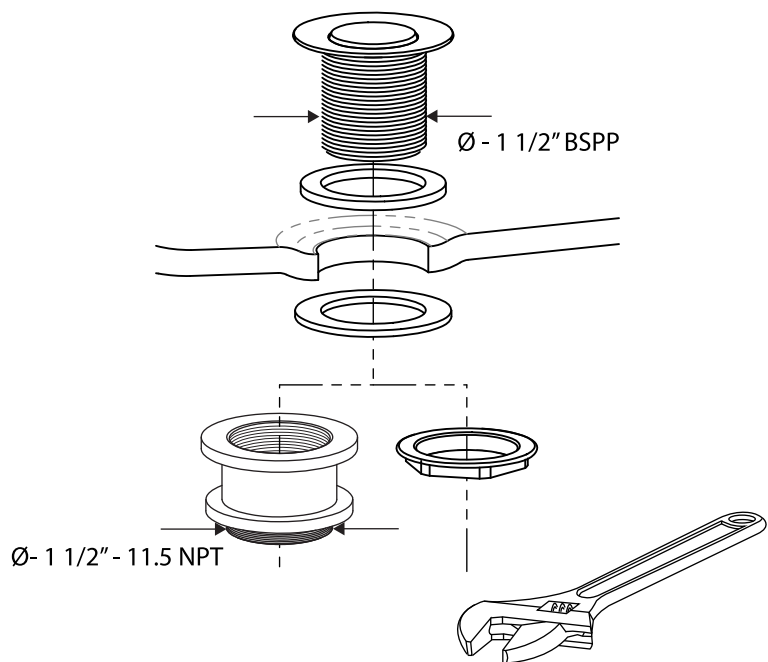


1. Snip Screw
2. Overflow Plate with Pad Washer
3. Shaped Washer
4. Overflow Body
5. Overflow Pipe
6. Shroud
7. Waste Body
8. Foam Washer
9. Rubber Washer
10. Back Nut (K17 Only)
11. Spacer Nut (SPE-CAP only)

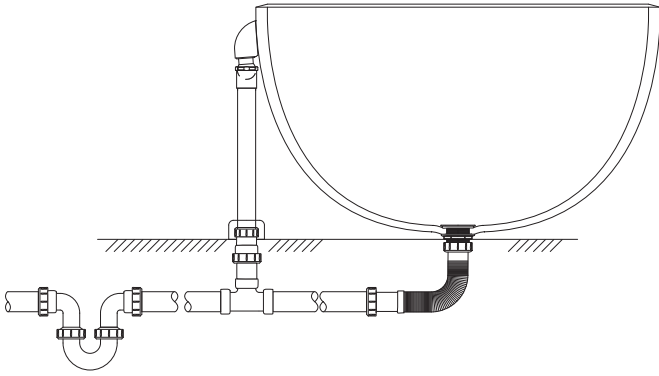
1.



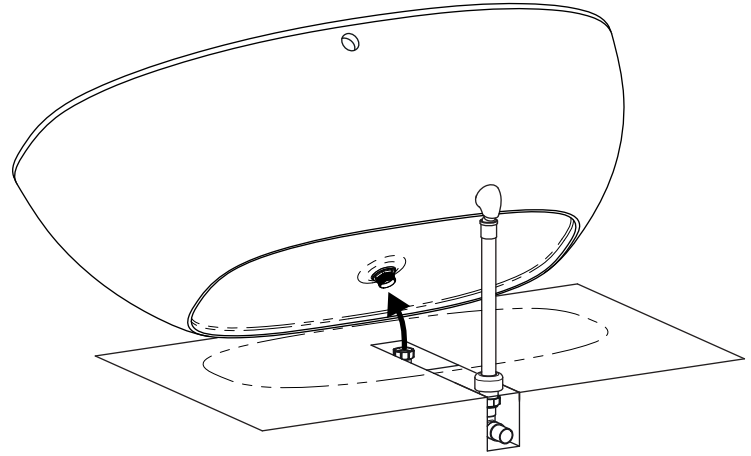
2.



3.



4.



5.

