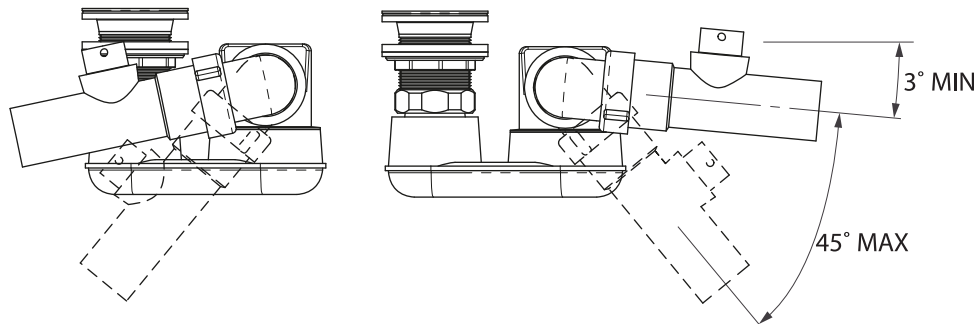
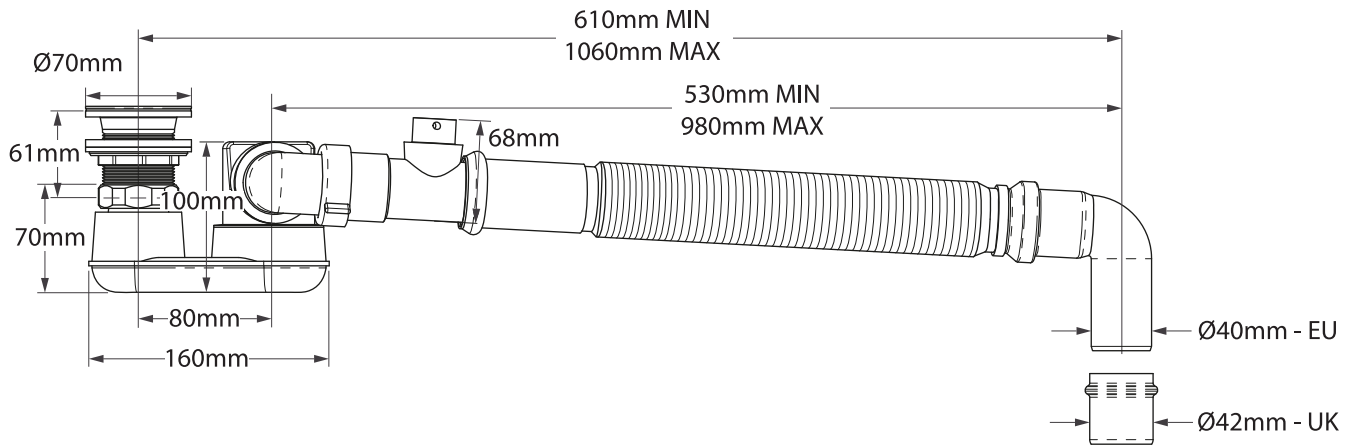


Kit40

K40-**



Depth of Water Seal Conforms to BS EN 274-1

