

# Tubo 17



 **Tubo wall mounted basin mixer**  
0.5bar minimum, 1.0bar recommended  
Polished chrome (shown)

 **Wandmontierte Beckenarmatur Tubo**  
0,5bar Minimum, 1,0bar empfohlen  
Chrom poliert (abgebildet)

 **Mitigeur lavabo mural Tubo**  
Minimum 0,5 bar, 1,0bar recommandée  
Chromé (voir photo)

 **Mezclador de lavabo para montaje de tubo en pared**  
Mínimo 0,5 bar, 1,0bar recomendado  
Cromado brillante (ver foto)

 **Miscelatore Tubo per lavabo montato a muro**  
Minimo di 0,5 bar, 1,0bar raccomandata  
Cromo metallico lucidato (mostrato)

- TU-17-PC** Polished chrome, Chrom poliert, Chromé, Cromado brillante, Cromo metallico lucidato
- TU-17-BN** Brushed nickel, Nickel gebürstet, Nickel mat, Níquel satinado, Nickel spazzolato

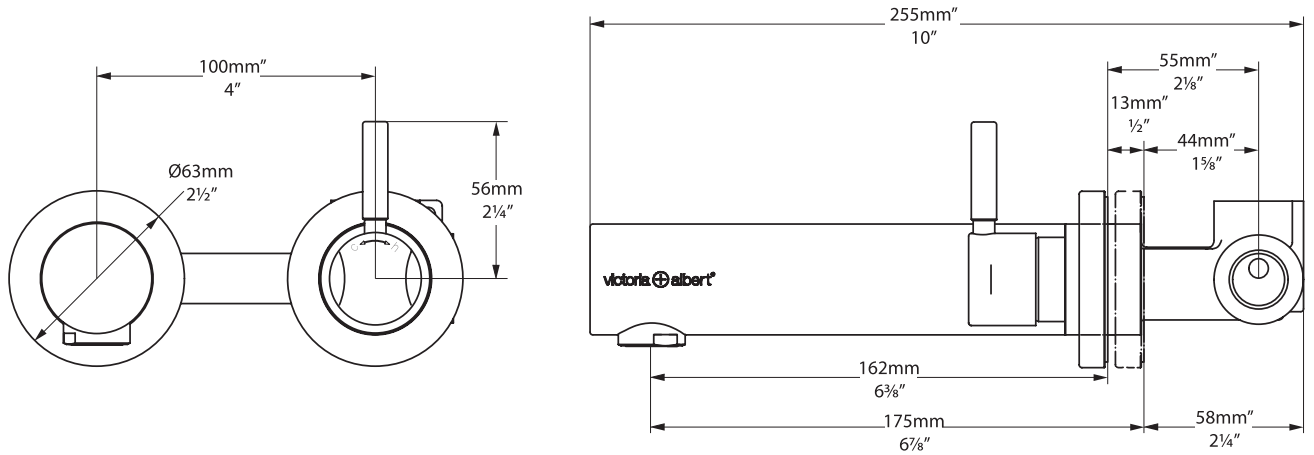


2  
years

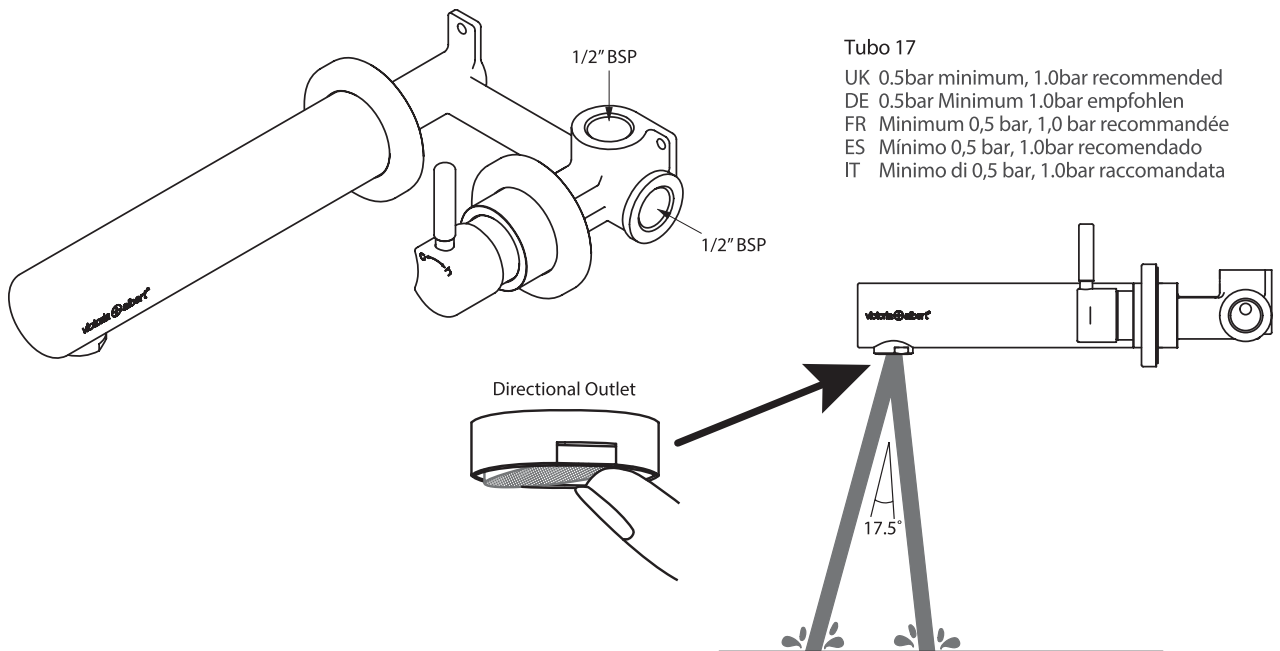


Massachusetts Code: File No. Pending  
cUPC listing (ASME & CSA) by IAPMO: File No. Pending  
Lead Free listing (Safe Drinking Water Act & California Health & Safety Code) by IAPMO: File No. Pending  
Drinking Water Listing (NSF 61) by IAPMO: File No. Pending

# Tubo 17 TU-17-\*\*



Handle Shown in OFF position



### Tubo 17

- UK 0.5bar minimum, 1.0bar recommended
- DE 0.5bar Minimum 1.0bar empfohlen
- FR Minimum 0,5 bar, 1,0 bar recommandée
- ES Mínimo 0,5 bar, 1.0bar recomendado
- IT Minimo di 0,5 bar, 1.0bar raccomandata

\*All measurements subject to +/-5% tolerance

Pressure (bar)	0.5	1.0	1.5	2.0	3.0	4.0	5.0
Flow (lpm)*	5	8	10	12	15	17	20

