

Staffordshire 11




2
years

- STA-11-PC Polished chrome, Chrom poliert, Chromé, Cromado brillante, Cromo metallico lucidato
- STA-11-BN Brushed nickel, Nickel gebürstet, Nickel mat, Niquel satinado, nickel spazzolato
- STA-11-PN Polished nickel, Nickel poliert, Nickel brillant, Niquel brillante, nickel lucidato





Low Lead (California) AB1953: File No. 8251
NSF Drinking Water: File No. N-8292
cUPC listing by IAPMO: File No. 8086
Massachusetts Code: P1-1013-141

 Staffordshire traditional deck mounted basin mixer
0.5bar minimum, 1.0bar recommended
Polished chrome (shown)

 Traditionelle Waschbecken Mischarmatur Staffordshire zur Aufsatzmontage
0,5bar Minimum, 1,0bar empfohlen
Chrom poliert (abgebildet)

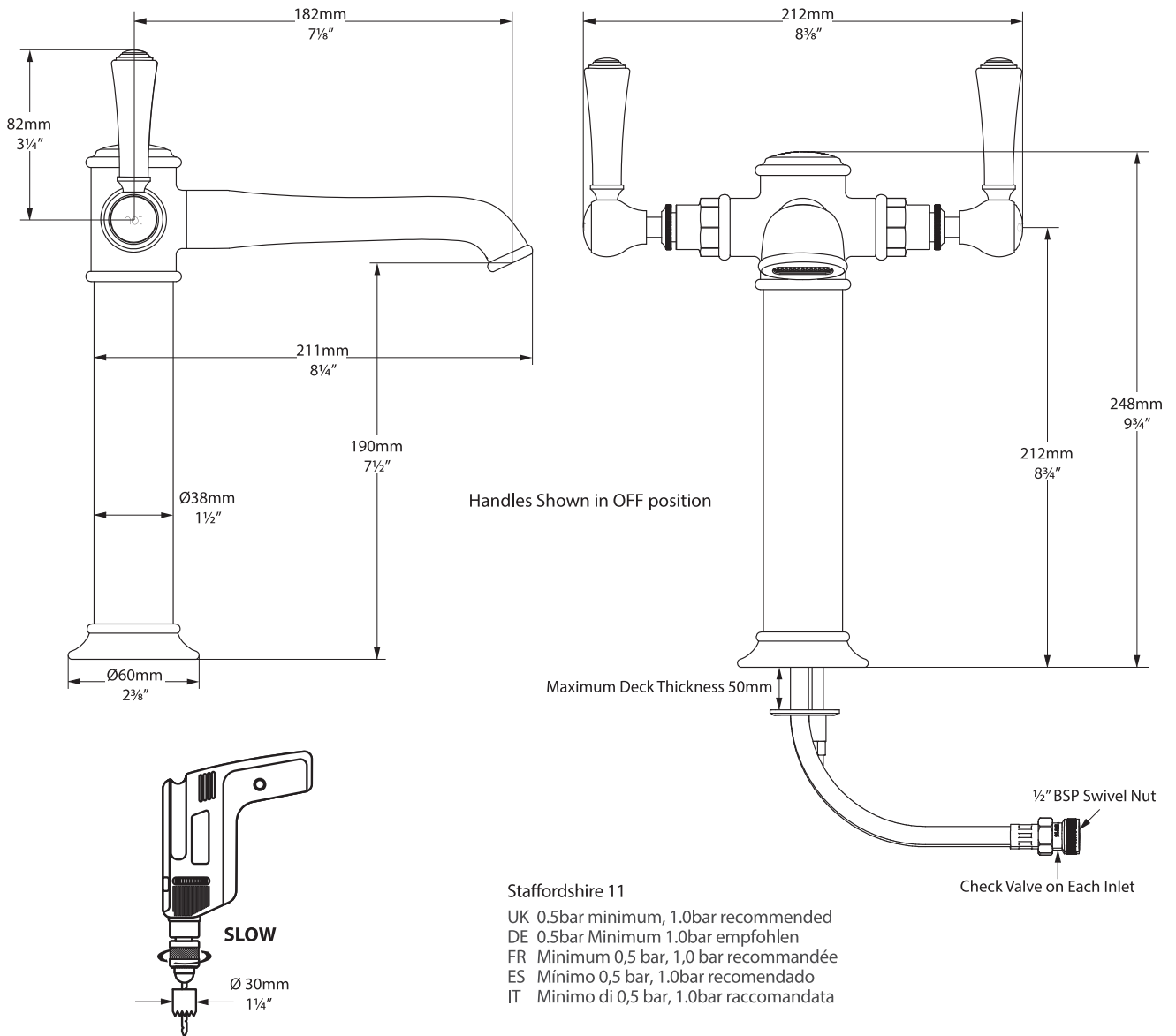
 Mélangeur rétro Staffordshire pour vasque
Minimum 0,5 bar, 1,0bar recommandée
Chromé (voir photo)

 Staffordshire grifería tradicional de lavabo
Mínimo 0,5 bar, 1,0bar recomendado
Cromado brillante (ver foto)

 Tradizionale miscelatore per lavabo montato a bordo vasca
Mínimo 0,5 bar, 1,0bar recomendado
Cromo metallico lucidato (mostrato)



Staffordshire 11 STA-11-**



*All measurements subject to +/-5% tolerance

Pressure (bar)	0.5	1.0	1.5	2.0	3.0	4.0	5.0
Flow (lpm)	3	5	6	7	9	10	11

