

# Staffordshire 10




2  
years

- STA-10-PC Polished chrome, Chrom poliert, Chromé, Cromado brillante, Cromo metallico lucidato
- STA-10-BN Brushed nickel, Nickel gebürstet, Nickel mat, Niquel satinado, nickel spazzolato
- STA-10-PN Polished nickel, Nickel poliert, Nickel brillant, Niquel brillante, nickel lucidato




Low Lead (California) AB1953: File No. 8251  
NSF Drinking Water: File No. N-8292  
cUPC listing by IAPMO: File No. 8086  
Massachusetts Code: P1-1013-141

 Staffordshire traditional wall mounted basin mixer  
0.5bar minimum, 1.0bar recommended  
Polished chrome (shown)

 Traditionelle wandinstallierte Waschbecken  
Mischarmatur Staffordshire  
0,5bar Minimum, 1,0bar empfohlen  
Chrom poliert (abgebildet)

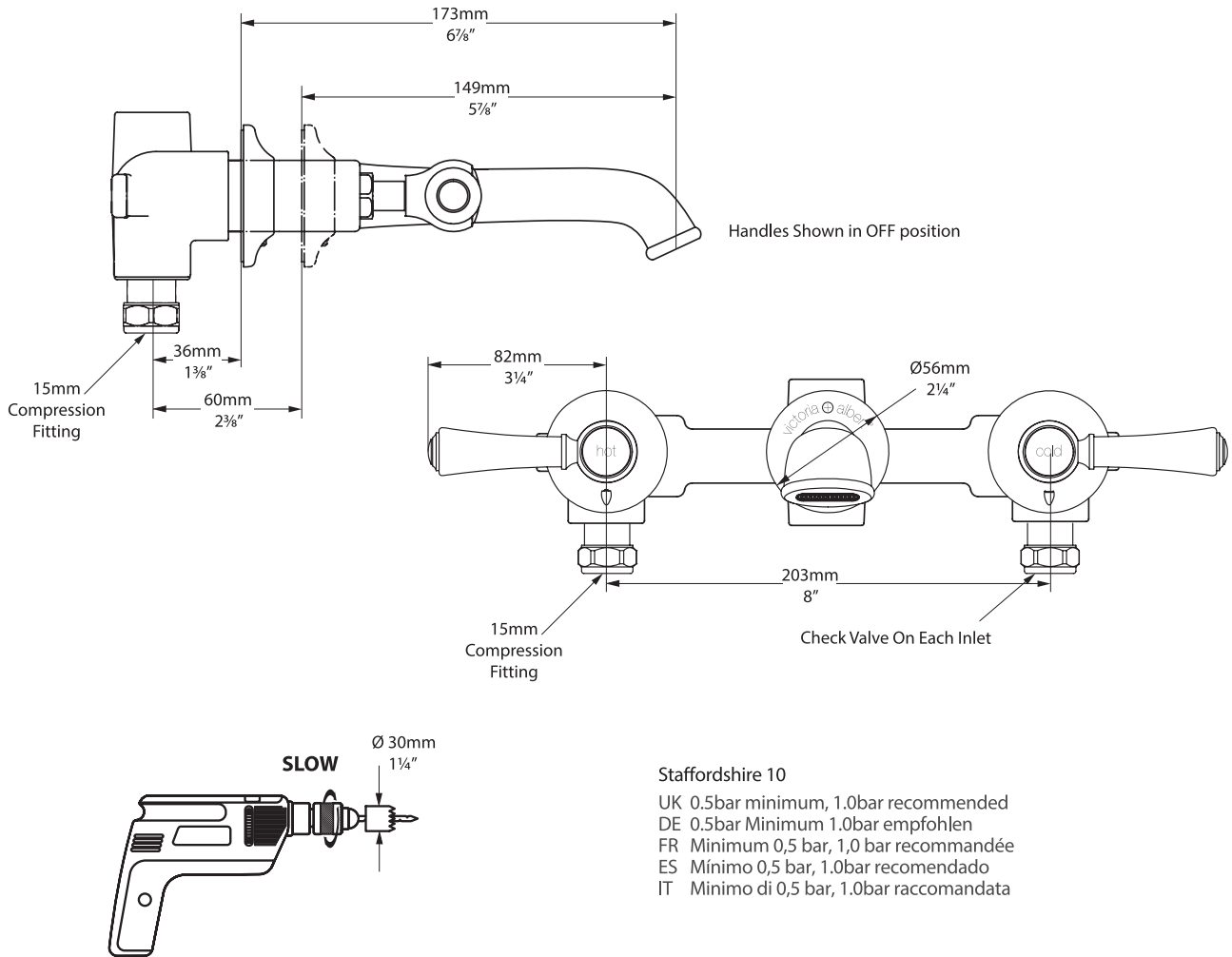
 Mélangeur mural rétro Staffordshire pour vasque  
Minimum 0,5 bar, 1,0bar recommandée  
Chromé (voir photo)

 Staffordshire grifería tradicional de lavabo  
(montaje en pared)  
Mínimo 0,5 bar, 1,0bar recomendado  
Cromado brillante (ver foto)

 Tradizionale miscelatore per lavabo montato a muro  
Mínimo 0,5 bar, 1,0bar recomendado  
Cromo metallico lucidato (mostrato)



# Staffordshire 10 STA-10-\*\*



\*All measurements subject to +/-5% tolerance

Pressure (bar)	0.5	1.0	1.5	2.0	3.0	4.0	5.0
Flow (lpm)*	3	5	6	7	9	10	12

